

## Carrying Handle

### Description

This carrying handle makes it easy to move DLP™-based projectors, such as the PT-D7600 and others.

### Specifications

Dimensions (W x H x D): 578 x 86 x 716 mm  
(22-3/4" x 3-3/8" x 28-3/16")

Weight: 3.4 kg (7.5 lbs)

Weights and dimensions shown are approximate. Specifications subject to change without notice. Digital Light Processing and DLP are trademarks of Texas Instruments.

### Parts

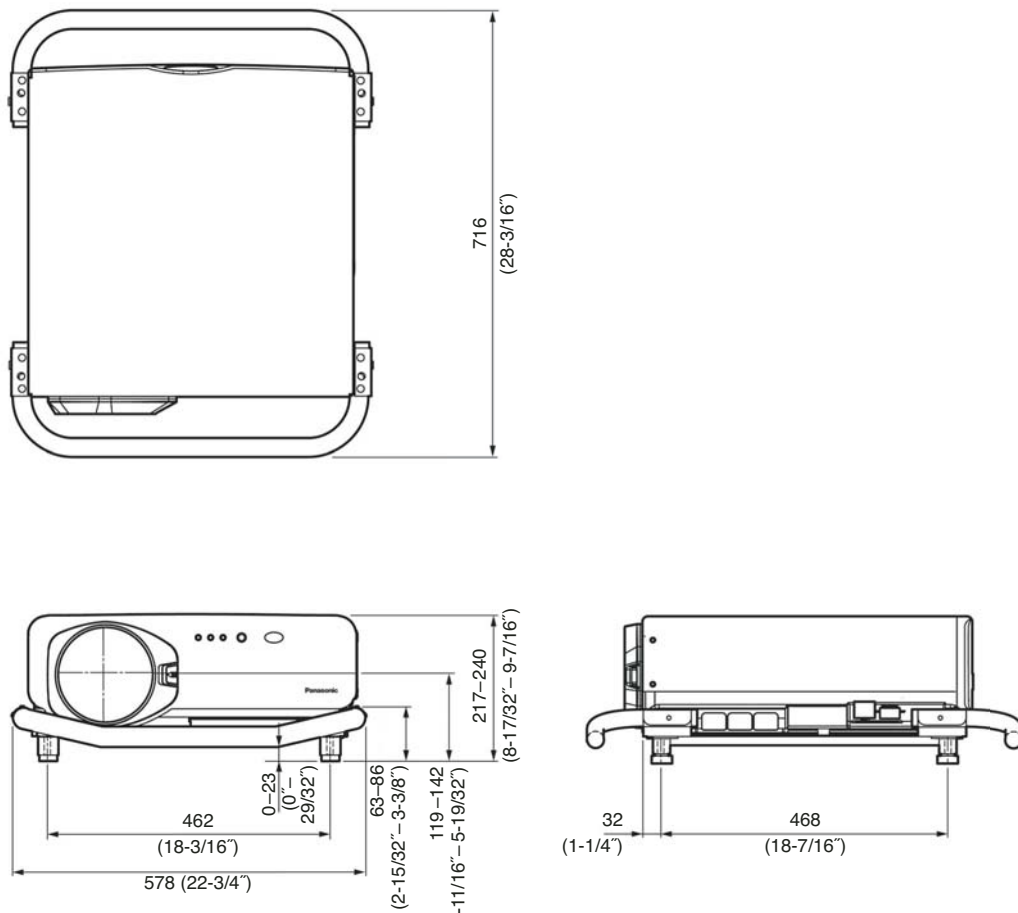
Carrying handle	.....1	Adjuster	.....4
Screws for carrying handle (M8 x 30)	..4	Screws for adjuster (M4 x 12)	.....8

### Caution:

Mounting should be done by a qualified technician. Make sure that the mounting (ceiling) area has sufficient strength. Read the enclosed mounting instructions thoroughly before starting.

### Dimensions

The ET-HAD75 attached to a projector



Note: This illustration is not drawn to scale.

unit: mm  
(Dimensions given in inches are approximate.)