

Ceiling mount bracket for low ceilings

**Description**

This ceiling mount bracket is to be used when mounting Panasonic projectors to the ceiling.

**Specifications**

Vertical correction angle:	+5°, -5°
Horizontal slant correction angle:	±2.5°
Horizontal turn correction angle:	±2.4°
Dimensions (W x H x D):	507 x 151 x 425 mm (19-31/32" x 5-15/16" x 16-23/32")
Weight:	8.1 kg (17.9 lbs)

Weights and dimensions shown are approximate. Specifications subject to change without notice.

**Parts**

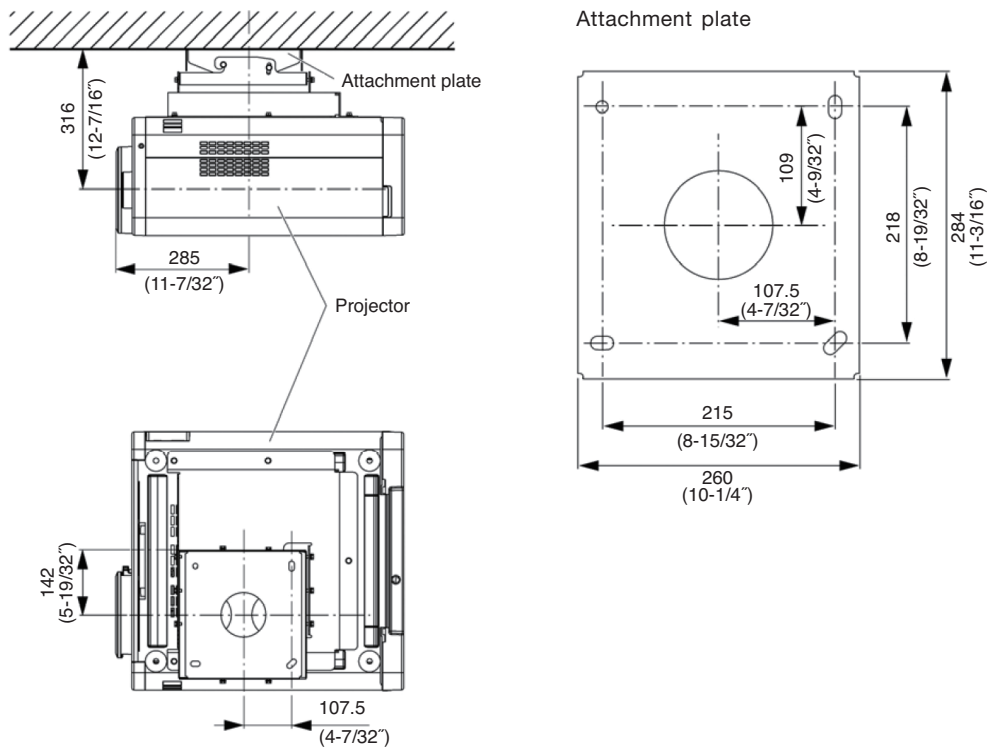
Attachment plate	1
Projector mount bracket	1
Angle adjuster	1
Washer-fitted hex bolts (M6 x 25)	5
Washer-fitted hex bolts (M6 x 12)	10

**Caution:**

Mounting should be done by a qualified technician. Make sure that the mounting (ceiling) area has sufficient strength. Read the enclosed mounting instructions thoroughly before starting.

**Dimensions**

Illustration shows the ET-PKD100S attached to the projector.



unit : mm (inch)

NOTE: This illustration is not drawn to scale.