

Ceiling mount bracket for high ceilings

Description

This ceiling mount bracket is to be used when mounting Panasonic projectors to the ceiling.

Specifications

Vertical correction angle:	+5°, -17°
Horizontal slant correction angle:	±2.5°
Horizontal turn correction angle:	±1.2°
Dimensions (W x H x D):	536 x 416.5–536.5 x 425 mm (21-3/32" x 16-13/32"–21-1/8" x 16-23/32")
Weight:	16.6 kg (36.6 lbs)

Weights and dimensions shown are approximate. Specifications subject to change without notice.

Parts

Attachment plate	1	Spring washer (M6)	1
Projector mount bracket	1	Nut (M6)	1
Adjuster poles	2	Washer-fitted hex bolts (M6 x 12)	36
Angle adjuster	1	Sealing packing	1
Pole support bracket 1	1	Washer-fitted hex bolts (M6 x 25)	5
Pole support brackets 2	2	Washers (M6)	2
Pole fixer	1	Hex nuts (M6)	2
Hexagonal bolt (M6 x 110)	1	Sealing packing	1

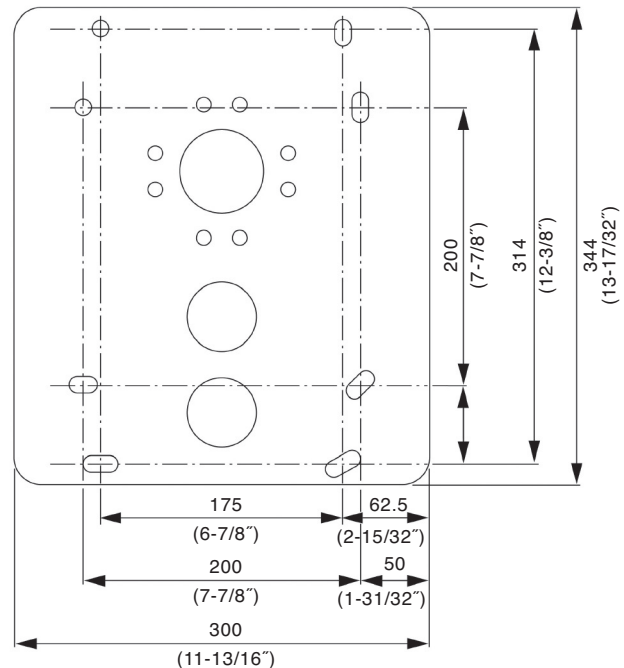
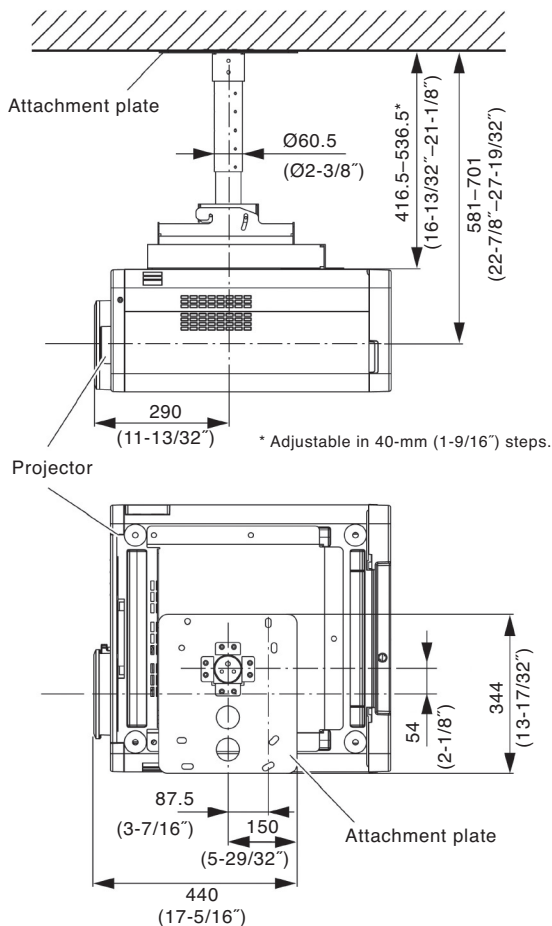
Caution:

Mounting should be done by a qualified technician. Make sure that the mounting (ceiling) area has sufficient strength. Read the enclosed mounting instructions thoroughly before starting.

Dimensions

Illustration shows the ET-PKD100H attached to the projector.

Attachment plate



unit : mm (inch)

NOTE: This illustration is not drawn to scale.