

This lens motor cover is used to protect the motor when the ET-D75LE1 or other optional lens is mounted onto a PT-DZ8700, PT-DZ110X or other 3-chip DLP™ projector.

NOTE: Please use the lens only on the specified Panasonic 3-chip DLP™ projector.

Specifications

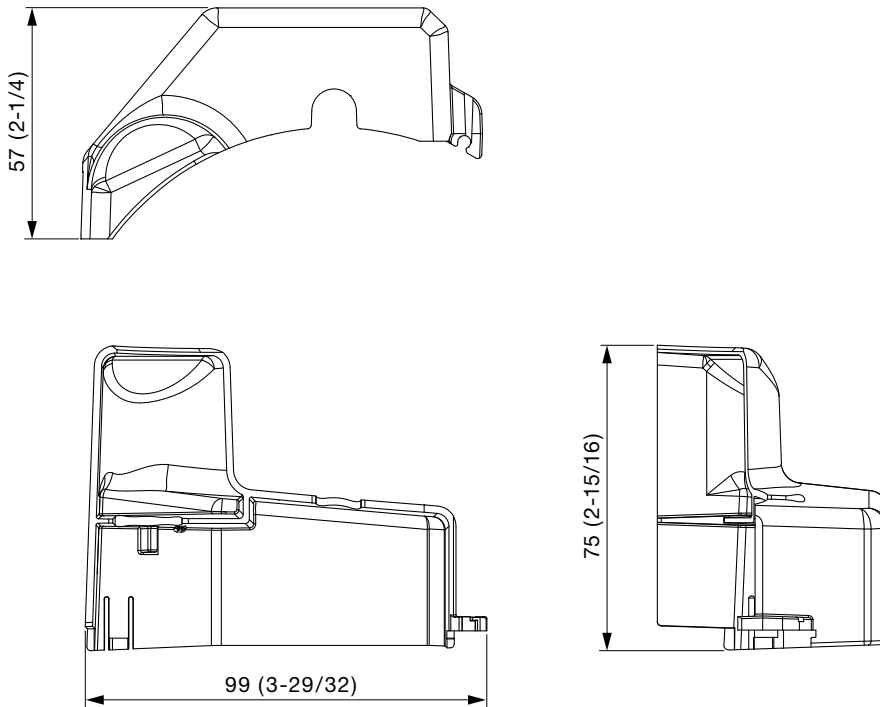
Dimensions (W × H × D): 99 × 75 × 57 mm (3-29/32" × 2-15/16" × 2-1/4")
 Weight: 23 g (0.8 ozs)
 Applicable lenses*: ET-D75LE1/D75LE2/D75LE3/D75LE4/D75LE5/D75LE8/D75LE6

* A cover is already mounted on the ET-D75LE10, ET-D75LE20 and ET-D75LE30.

**DLP and the DLP logo are trademarks of Texas Instruments.
 Weights and dimensions shown are approximate. Specifications subject to change without notice.**

Parts	Cover	1
	Cover mounting screw	1

Dimensions



unit : mm (inch)
NOTE: This illustration is not drawn to scale.