

Specifications

Main unit

Power supply		AC100V-240V, 50/60 Hz	
Power consumption ¹	Maximum power consumption		
	670 W (6.8A-2.8A) [680VA] (The power consumption is 650 W at 200-240V) ²		
	On-mode power consumption (Operating mode)	[NORMAL]	540 W (100V-120V), 520 W (200V-240V)
		[ECO]	410 W (100V-120V), 400 W (200V-240V)
[QUIET]		410 W (100V-120V), 400 W (200V-240V)	
Standby mode power consumption	[NORMAL]	14 W	
	[ECO]	0.5 W	
BTU value		Max 2,290 BTU	
DLP™ chip	Size	[0.65 in] diagonal (16:9 aspect ratio)	
	Display system	DLP™ chip x 1	
	Number of pixels	2,073,600 pixels (1920 x 1080 dots)	
Refresh rate		240 Hz ³ Refresh rate varies depending on scanning frequency.	
Light source		Laser diode	
Light output	Operation mode	[NORMAL]	7,500 lm ¹ / 7,500 lm(ANSI) ⁴ / 7,700 lm(Center) ⁵
		[ECO]	6,000 lm
		[QUIET]	6,000 lm
Time until light output declines to 50% ⁶	Operation mode	[NORMAL]	20,000 hours
		[ECO]	24,000 hours
		[QUIET]	20,000 hours
Resolution		4K (3840 x 2160 dots) (Quad Pixel Drive: ON)	
Contrast ratio ¹		15,000:1 (All White/All Black, Dynamic Contrast [3])	
Screen size (diagonal)		[50-600 in] (with ET-DLE060, ET-DLE085, ET-DLE105, ET-DLE150, ET-DLE170, ET-DLE250, ET-DLE350, ET-DLE450) [50-200 in] (with ET-DLE055) [100-350 in] (with ET-DLE035) [100-400 in] (with ET-DLE020G/ET-DLE020)	
Center to corner zone ratio ¹		90%	
Lens		Optional powered zoom/focus lenses	
Lens shift (From the origin point of the lens mounter)	Vertical	-18%,+66% (with ET-DLE150, ET-DLE170, ET-DLE250, ET-DLE350, ET-DLE450) -18%,+60% (with ET-DLE085, ET-DLE105) -18%,+50% (with ET-DLE060) -22%,+55% (with ET-DLE020G/ET-DLE020) +97% (with ET-DLE035)	
	Horizontal	-10%,+30% (with ET-DLE150, ET-DLE170, ET-DLE250, ET-DLE350, ET-DLE450) -10%,+28% (with ET-DLE085, ET-DLE105) -10%,+19% (with ET-DLE060) -20%,+10% (with ET-DLE020G/ET-DLE020)	
Installation		Ceiling/floor, front/rear, free 360-degree installation	
Compatible Signal	HDMI™ signal input	Moving image signal resolution: 480/60p, 576/50p to 4096 x 2160/60p Still image signal resolution: 640 x 480 to 3840 x 2400 (non-interlace) Dot clock frequency: 25 MHz to 594 MHz	
	DIGITAL LINK signal input	Moving image signal resolution: 480/60p, 576/50p to 4096 x 2160/60p Still image signal resolution: 640 x 480 to 3840 x 2400 (non-interlace) Dot clock frequency: 25 MHz to 297 MHz	
	SDI ⁷ signal input	HD-SDI signal 3G-SDI signal 12G-SDI signal	
Terminals	<HDMI™ 1 IN> <HDMI™ 2 IN>	HDMI™ x 2 Deep Color, compatible with HDCP2.3, 4K/60p signal	
	<SERIAL IN>	D-sub 9-pin (female) x 1 for external control (RS-232C compliant)	
	<SERIAL OUT>	D-sub 9-pin (male) x 1 for link control (RS-232C compliant)	
	<REMOTE IN>	M3 stereo mini jack x 1 for wired remote control	
	<REMOTE OUT>	M3 stereo mini jack x 1 for link control (for wired remote control)	

Terminals	<DIGITAL LINK/LAN>	RJ-45 x 1 for network and DIGITAL LINK connections (HDBase™ compliant), PJLink™ (Class 2) compatible, 100Base-TX, Art-Net compatible, HDCP 2.3 compatible, Deep Color compatible, 4K/60p signal input
	<LAN>	RJ-45 x 1 for network connection, PJLink™ (class 2) compatible, 10Base-T/100Base-TX, Art-Net compatible
	<USB (DC OUT)>	USB connector (type A) x 1 for connecting the optional Wireless Module (Model No.:AJ-WM50 Series), for connecting USB memory, for power supply (DC 5 V, maximum 2 A)
	<SLOT>	SLOT x 1 Open slot, for function boards, Intel® SDM compatible
Supported Internet Protocol version		IPv4, IPv6 ⁸
Power cord length		3.0 m [9 ft 10 in] (2.0 m [6 ft 7 in] for Taiwan)
Cabinet materials		Molded plastic
Dimension	Width	498 mm [19 19/32 in]
	Height	180 mm [7 3/32 in] (with the feet at shortest position)
		170 mm [[6 11/16 in] (excluding feet)
Depth	440 mm [17 5/16 in] (excluding protrusions)	
Weight ⁹		Approx. 16.6 kg(36.59 lbs.) (excluding the optional lens)
Operating noise ¹	[NORMAL]	35 dB
	[ECO]	35 dB
	[QUIET]	32 dB
Laser Classification	Laser Class	Class 1 (IEC/EN 60825-1:2014) China: Class 3R (IEC60825-1:2007)
	Risk Group	Risk Group 2 (IEC 62471-5:2015): ET-DLE020G/ET-DLE020, ET-DLE035, ET-DLE055, ET-DLE060, ET-DLE085, ET-DLE105, ET-DLE150, ET-DLE170, ET-DLE250
		Risk Group 3 (IEC 62471-5:2015): ET-DLE350, ET-DLE450
Operating environment	Operating temperature	0-45 °C (32-113 °F) ¹⁰
	Operating humidity	10-80% (no condensation)
IP rating (dust protection) ¹¹		IP5X (only the optical engine and light source module)

Remote control unit

Power supply		3V DC (AAA/R03/LR03 battery x 2)
Operation range		Approx. 30 m [98 ft 5 in] (when operated directly in front of signal receiver)
Dimensions	Width	48 mm [1 7/8 in]
	Height	145 mm [5 23/32 in]
	Depth	27 mm [1 1/16 in]
Weight		Approx. 102 g (3.60 ozs.) including batteries

Supplied accessories

- Power cord (x 1) (x 2 for Europe / ASIA models)
- Wireless/wired remote control unit (x 1)
- Batteries for remote control (AAA/R03 or AAA/LR03 battery x 2)
- SLOT adapter (x 1)

Other Applications

- Multi Monitoring Control Software (for Windows)
- Geometry Manager Pro (for Windows)
- Smart Projector Control (for iOS/Android™)
- Projector Network Setup Software (for Windows)

Supported services of Control via LAN

- Art-net
- PJLink™ (class 2)
- Crestron Connected™ V2
- Crestron XiO Cloud™
- AMX Device Discovery

Optional accessories

Lens	Fixed-Focus Lens	ET-DLE035 (0.378:1)
		ET-DLE055 (0.782:1)
	Zoom lens	ET-DLE020G (0.279-0.297:1)
		*The zoom lens (Model No.: ET-DLE020) can also be used. When using on this projector, there is no need to attach the lens fixed attachment that comes with the zoom lens.
		ET-DLE060 (0.597-0.797:1)
		ET-DLE085 (0.779-0.972:1)
		ET-DLE105 (0.973-1.32:1)
		ET-DLE150 (1.29-1.88:1)
		ET-DLE170 (1.71-2.40:1)
		ET-DLE250 (2.26-3.60:1)
ET-DLE350 (3.56-5.42:1)		
ET-DLE450 (5.33-8.53:1)		
Ceiling Mount Bracket	with 6-axis adjustment for high ceilings	ET-PKD130H
	for high ceilings	ET-PKD120H
	for low ceilings	ET-PKD120S
Attachment for Ceiling Mount Bracket		ET-PKD130B
Media Processors	Box-type	ET-FMP50/ET-FMP20
	Function board-type	ET-SBFMP10 *ET-SBFMP10 is estimated for release in CY2024 Q4. Compatible with Intel® SDM standard SLOT.
Function Board	12G-SDI Terminal Board	TY-SB01QS
	12G-SDI Optical Function Board	TY-SB01FB
	Wireless Presentation System Receiver Board	TY-SB01WP
DIGITAL LINK Switcher		ET-YFB200G
Wireless module		AJ-WM50 Series Note: Product availability may vary by country or region. The suffix at the end of the model number is omitted. Operating Temperature: 0–40 °C (32–104 °F).
Wireless Presentation System PressIT		TY-WPS1 (basic set)

Weights and dimensions shown are approximate. Specifications subject to change without notice.

1 Measurement, measuring conditions, and method of notation all comply with ISO/IEC 21118: 2020 international standards. Value is the average of all products when shipped.

2 This value has included a maximum power consumption of 80W when using the function board.

3 When PT-RQ7 / PT-RQ6 is used and the image of 1080/100p, 1080/120p, or 1920x1080/240 is displayed, edge blending and geometric adjustment cannot be used.

4 Measurement, measuring conditions, and method of notation all comply with American National Standards Institute standards. Value is the average of all products when shipped.

5 Average light output value of all shipped products measured at center of screen in [NORMAL] Mode.

6 Around this time, light output will have decreased by approximately 50%. IEC62087: 2008 Broadcast contents, Dynamic Contrast [3], under conditions with 35°C (95°F), 700m (2297ft) above sea level, and 0.15 mg/m³ of particulate matter. Estimated time until light output declines to 50% varies depending on environment.

7 Requires TY-SB01QS or TY-SB01FB Interface Board for 12G-SDI Input.

8 Optional wireless module AJ-WM50 only supports IPv4.

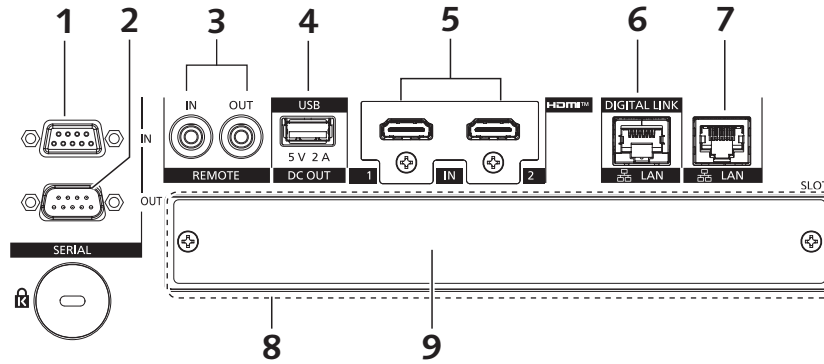
9 Average value. May differ depending on the actual unit.

10 When using the projector at an altitude lower than 2700m (8858ft) above sea level, and the operating environment temperature becomes 30°C (86°F) or higher, the light output may be reduced to protect the projector.

When using the projector at an altitude between 2700m (8858ft) and 4200m (13780ft), and the operating environment temperature becomes 25°C (77°F) or higher, the light output may be reduced to protect the projector.

11 The measurement method and measurement conditions are based on IEC standard 60529 IP5X (dustproof type). The dustproof performance of this unit is not guaranteed to be free from damage or failure under all conditions (environment with conductive dust, etc.).

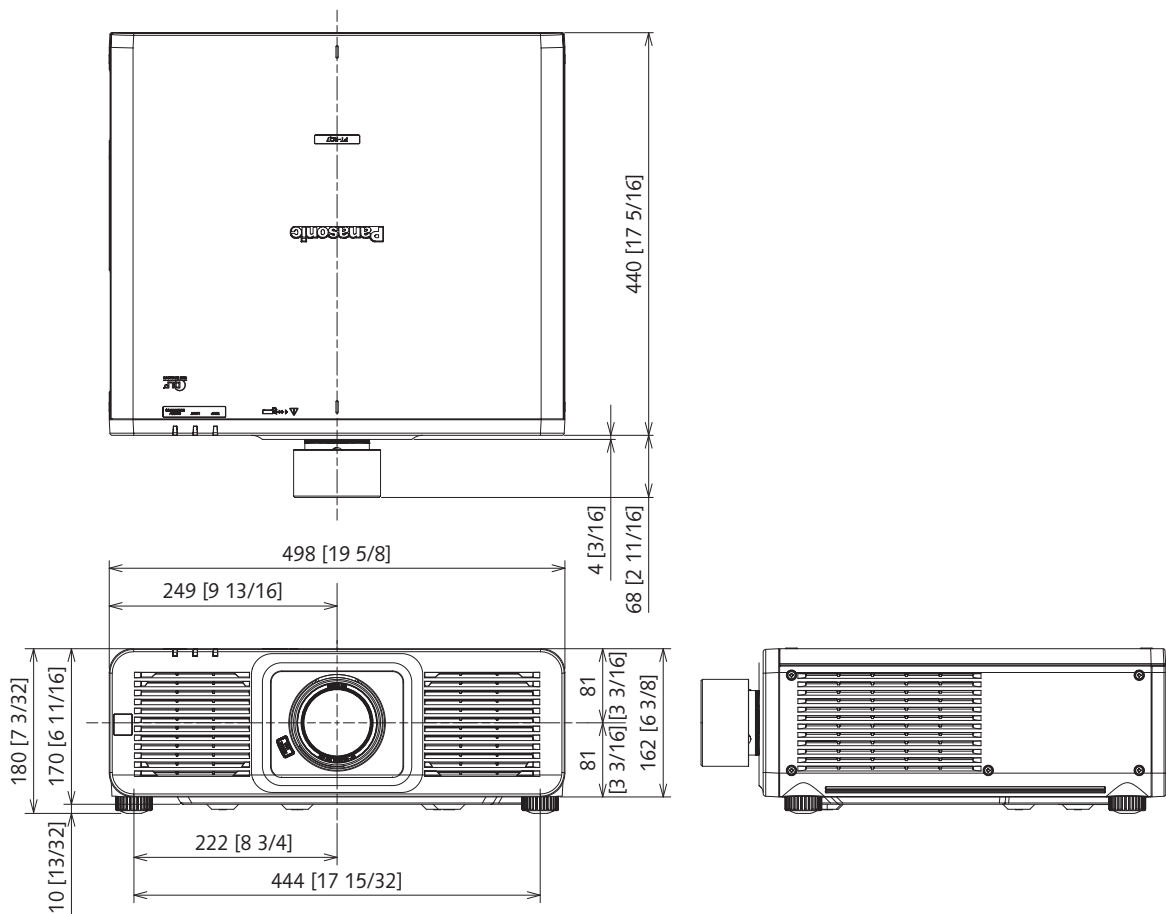
Terminals



1	SERIAL IN	6	DIGITAL LINK/LAN
2	SERIAL OUT	7	LAN
3	REMOTE IN/REMOTE OUT	8	SLOT
4	USB (DC OUT)	9	SLOT Cover
5	HDMI™ 1 IN / HDMI™ 2 IN		

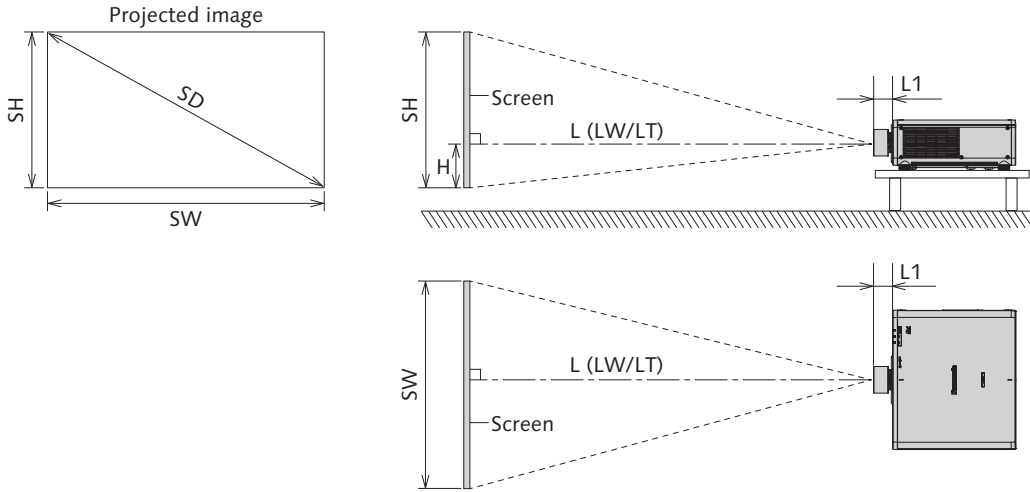
Dimensions

unit : mm [inch]
NOTE: This illustration is not drawn to scale.



Projection relationship diagram

Install the projector referring to the projected image size, projection distance, etc. Image size and image position can be adjusted in accordance with the screen size and screen position. When the Fixed-focus Lens (Model No.: ET-DLE035) is used, the projection relation between the screen and the projector differs from that of other lenses.



Note

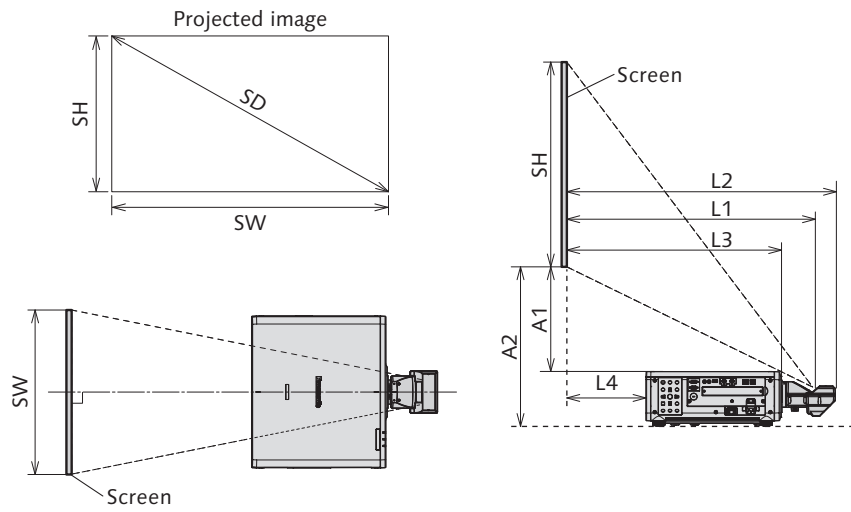
- This illustration is prepared on the assumption that the projected image size and position have been aligned to fit full in the screen.
- This illustration is not drawn to scale.
- The values are approximate.

SH	Projected image height
SW	Projected image width
SD	Projected image size
H	Distance from the lens center to the bottom edge of the projected image
L	Projection distance (distance from the front end of the projection lens to the screen)
	LW Minimum projection distance when the Zoom Lens is used
	LT Maximum projection distance when the Zoom Lens is used
L1	Lens protrusion dimension (distance from the front surface of the projector to the front end of the projection lens)

unit : m

Projection lens Model No.	Lens protrusion dimension (L1) (approximate value)
ET-DLE170	0.068
ET-DLE020G/ET-DLE020	0.294
ET-DLE055	0.053
ET-DLE060	0.134
ET-DLE085	0.110
ET-DLE105	0.117
ET-DLE150	0.070
ET-DLE250	0.073
ET-DLE350	0.080
ET-DLE450	0.126

Projection relationship diagram (ET-DLE035)



Note

- This diagram assumes that the size and position of the projected image will be adjusted so that the image fits the entire screen.
- This illustration is not drawn to scale.
- The values are approximate.

SH	Projected image height
SW	Projected image width
SD	Projected image size
L1	Projection distance (from the screen to the mirror reflection surface ¹)
L2	Distance from the front end of the projection lens to the screen
L3	Distance between the projector and the screen (from the screen to the front surface of the projector)
L4	Distance between the projector and the screen (from the screen to the rear surface of the projector)
A1	Distance between the projector and the screen (from the screen bottom edge to the projector top)
A2	Distance between the projector and the screen (from the screen bottom edge to the projector bottom)

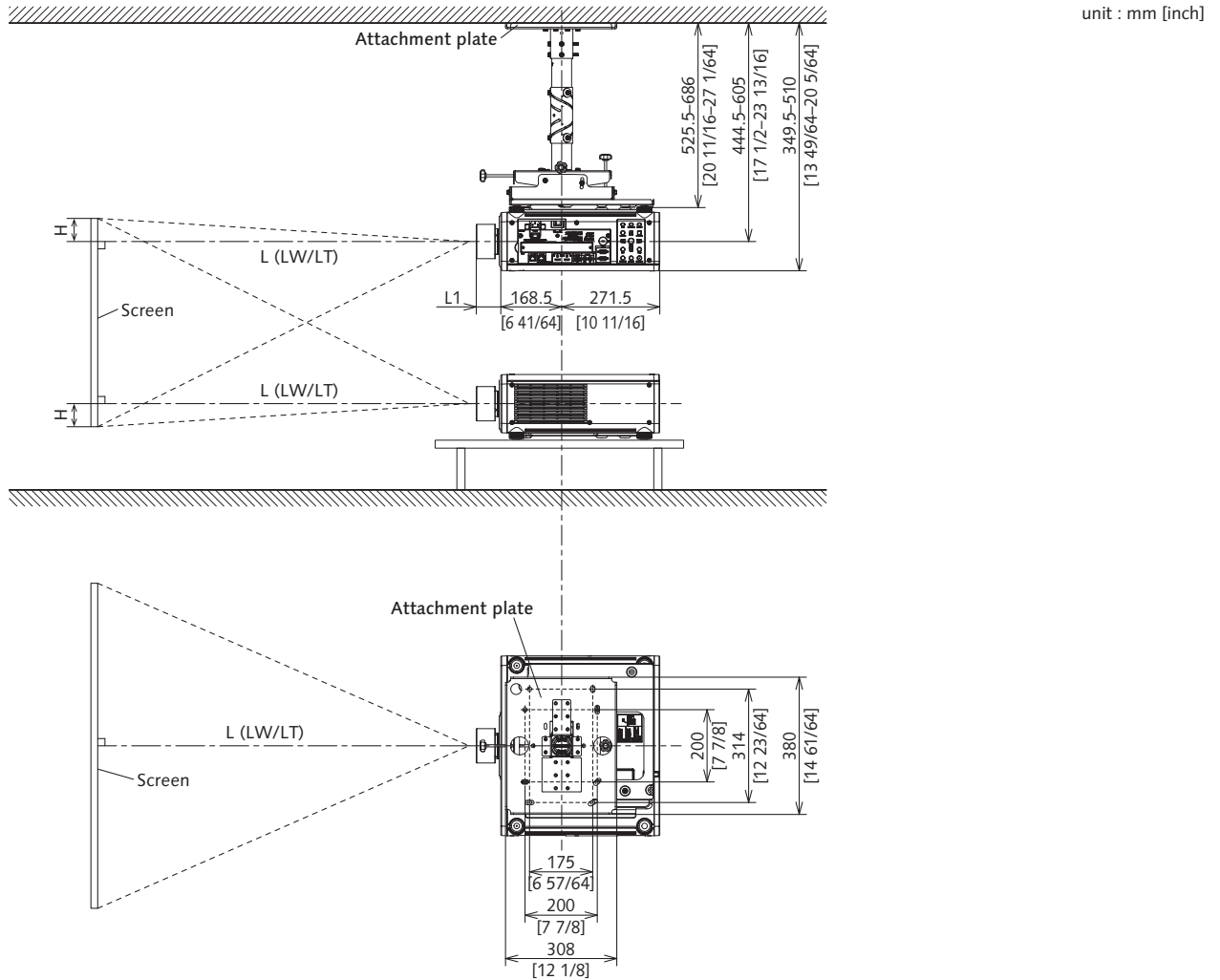
¹ The mirror reflection surface cannot be seen from the outside, because it is located inside the Fixed-focus Lens.

unit : m

Distance from the projector to the screen	Formula
L2	= L1 + 0.023
L3	= L1 - 0.191
L4	= L1 - 0.631
A2	= A1 + 0.180

Standard setting position

Illustrations show the projector installed using optional ceiling mountbracket ET-PKD130H, optional bracket assembly ET-PKD130B.



Caution

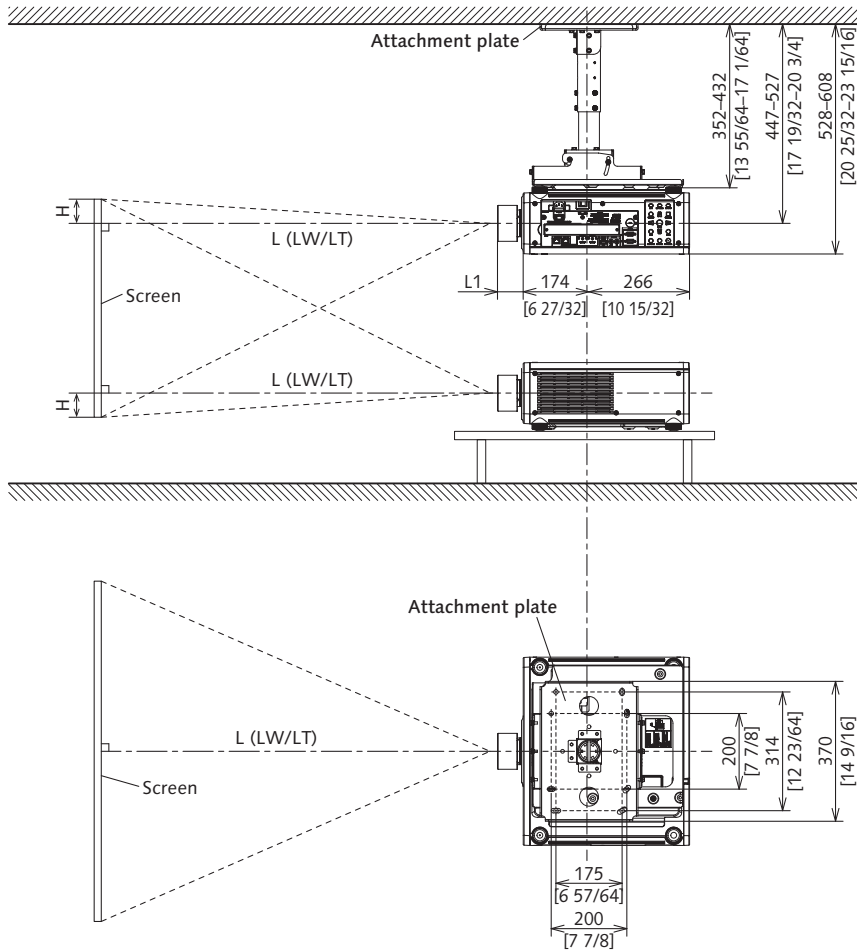
- All construction work should be done by a qualified technician.
- When mounting to the ceiling, use the special mounting bracket.
Furthermore, in order to prevent it from falling down from the ceiling, use the supplied wire on the mounting bracket.

Note

- This illustration is prepared on the assumption that the projected image size and position have been aligned to fit full in the screen.
- This illustration is not drawn to scale.
- The values are approximate.

Illustrations show the projector installed using optional ceiling mountbracket ET-PKD120H, optional bracket assembly ET-PKD130B.

unit : mm [inch]



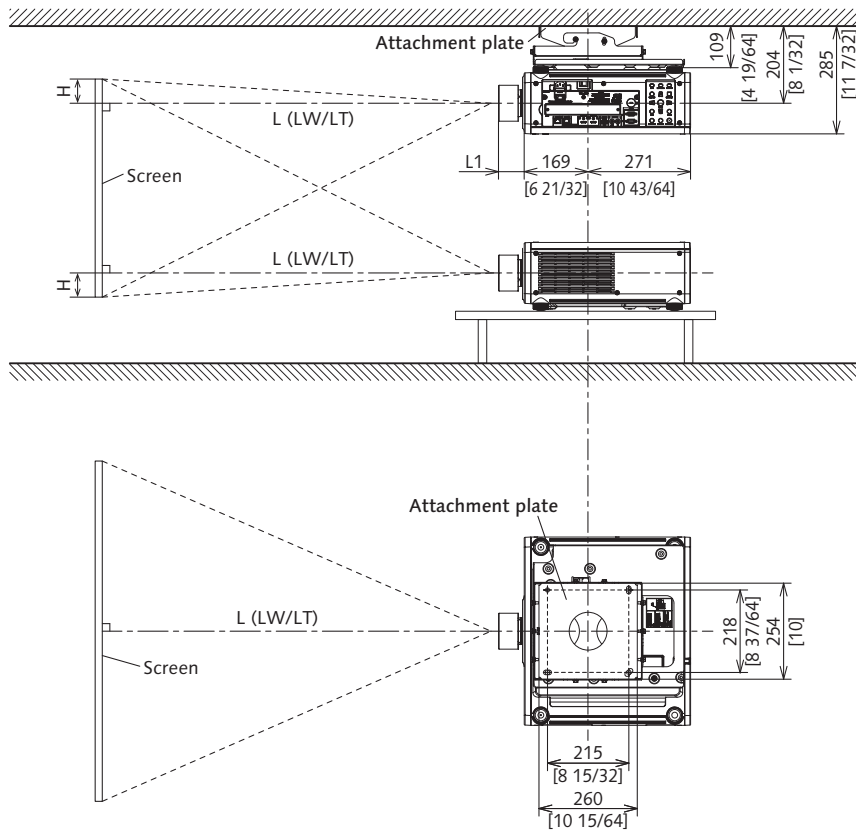
Caution

- All construction work should be done by a qualified technician.
- When mounting to the ceiling, use the special mounting bracket. Furthermore, in order to prevent it from falling down from the ceiling, use the supplied wire on the mounting bracket.

Note

- This illustration is prepared on the assumption that the projected image size and position have been aligned to fit full in the screen.
- This illustration is not drawn to scale.
- The values are approximate.

Illustrations show the projector installed using optional ceiling mountbracket ET-PKD120S, optional bracket assembly ET-PKD130B.

**Caution**

- All construction work should be done by a qualified technician.
- When mounting to the ceiling, use the special mounting bracket. Furthermore, in order to prevent it from falling down from the ceiling, use the supplied wire on the mounting bracket.

Note

- This illustration is prepared on the assumption that the projected image size and position have been aligned to fit full in the screen.
- This illustration is not drawn to scale.
- The values are approximate.

Projection distance

A ±5% error in listed projection distances may occur.

When [SCREEN ADJUSTMENT] is used, distance is corrected to become smaller than the specified image size.

Screen aspect ratio 16:9

Unit: meters

Lens type				Fixed-Focus Lens					Zoom lens									
Projection lens Model No.				ET-DLE035			ET-DLE055	ET-DLE020G/ ET-DLE020		ET-DLE060		ET-DLE085		ET-DLE105		ET-DLE150		
Throw ratio				0.378:1			0.782:1	0.279-0.297:1		0.597-0.797:1		0.779-0.972:1		0.973-1.32:1		1.29-1.88:1		
Diagonal (SD)		Height (SH)	Width (SW)	Projection distance (L1)	From rear of set to screen (L4)	From top of set to bottom edge of screen (A1)	Projection distance (L)	Min. (LW)	Max. (LT)	Min. (LW)	Max. (LT)	Min. (LW)	Max. (LT)	Min. (LW)	Max. (LT)	Min. (LW)	Max. (LT)	
																		m
1.27	50	0.623	1.107	-	-	-	0.85	-	-	0.64	0.86	0.84	1.06	1.06	1.44	1.41	2.06	
1.52	60	0.747	1.328	-	-	-	1.03	-	-	0.78	1.05	1.02	1.28	1.28	1.74	1.70	2.48	
1.78	70	0.872	1.550	-	-	-	1.21	-	-	0.92	1.23	1.20	1.50	1.50	2.04	1.99	2.90	
2.03	80	0.996	1.771	-	-	-	1.38	-	-	1.06	1.41	1.38	1.72	1.72	2.33	2.29	3.32	
2.29	90	1.121	1.992	-	-	-	1.56	-	-	1.20	1.60	1.56	1.94	1.95	2.63	2.58	3.75	
2.54	100	1.245	2.214	0.84	0.21	0.51	1.74	0.61	0.65	1.34	1.78	1.74	2.16	2.17	2.93	2.87	4.17	
3.05	120	1.494	2.657	1.00	0.37	0.63	2.10	0.73	0.79	1.61	2.14	2.09	2.60	2.61	3.52	3.45	5.01	
3.81	150	1.868	3.321	1.25	0.62	0.80	2.64	0.92	0.99	2.03	2.69	2.63	3.27	3.28	4.42	4.33	6.28	
5.08	200	2.491	4.428	1.67	1.04	1.09	3.53	1.24	1.33	2.73	3.61	3.52	4.37	4.39	5.90	5.79	8.39	
6.35	250	3.113	5.535	2.09	1.45	1.38	-	1.56	1.67	3.42	4.52	4.41	5.47	5.50	7.39	7.26	10.50	
7.62	300	3.736	6.641	2.50	1.87	1.68	-	1.87	2.01	4.12	5.44	5.30	6.58	6.60	8.88	8.72	12.60	
8.89	350	4.358	7.748	2.92	2.29	1.97	-	2.19	2.35	4.81	6.35	6.19	7.68	7.71	10.37	10.18	14.71	
10.16	400	4.981	8.855	-	-	-	-	2.51	2.69	5.51	7.27	7.08	8.78	8.82	11.85	11.64	16.82	
12.70	500	6.226	11.069	-	-	-	-	-	-	6.90	9.10	8.87	10.99	11.04	14.83	14.57	21.04	
15.24	600	7.472	13.283	-	-	-	-	-	-	8.29	10.93	10.65	13.20	13.26	17.80	17.49	25.26	

Lens type				Zoom lens								Height from the edge of screen to center of lens (H)									
Projection lens Model No.				ET-DLE170		ET-DLE250		ET-DLE350		ET-DLE450		66%-18%		60%-18%		50%-18%		55%-22%		0%	
Throw ratio				1.71-2.40:1		2.26-3.60:1		3.56-5.42:1		5.33-8.53:1		ET-DLE150 ET-DLE170 ET-DLE250 ET-DLE350 ET-DLE450		ET-DLE085 ET-DLE105		ET-DLE060		ET-DLE020G/ ET-DLE020		ET-DLE055	
Diagonal (SD)		Height (SH)	Width (SW)	Min. (LW)	Max. (LT)	Min. (LW)	Max. (LT)	Min. (LW)	Max. (LT)	Min. (LW)	Max. (LT)	Min. (LW)	Max. (LT)	Min. (LW)	Max. (LT)	Min. (LW)	Max. (LT)	Min. (LW)	Max. (LT)	Min. (LW)	Max. (LT)
1.27	50	0.623	1.107	1.86	2.63	2.47	3.95	3.89	5.95	5.79	9.33	-0.10-0.42	-0.06-0.42	0.00-0.42	-	0.31					
1.52	60	0.747	1.328	2.25	3.17	2.98	4.76	4.70	7.16	7.01	11.26	-0.12-0.51	-0.07-0.51	0.00-0.51	-	0.37					
1.78	70	0.872	1.550	2.64	3.71	3.49	5.57	5.50	8.38	8.23	13.19	-0.14-0.59	-0.09-0.59	0.00-0.59	-	0.44					
2.03	80	0.996	1.771	3.02	4.25	4.01	6.37	6.31	9.60	9.45	15.11	-0.16-0.68	-0.10-0.68	0.00-0.68	-	0.50					
2.29	90	1.121	1.992	3.41	4.79	4.52	7.18	7.11	10.81	10.67	17.04	-0.18-0.76	-0.11-0.76	0.00-0.76	-	0.56					
2.54	100	1.245	2.214	3.80	5.33	5.03	7.99	7.92	12.03	11.89	18.97	-0.20-0.85	-0.12-0.85	0.00-0.85	-0.06-0.90	0.62					
3.05	120	1.494	2.657	4.57	6.41	6.05	9.60	9.53	14.46	14.32	22.82	-0.24-1.02	-0.15-1.02	0.00-1.02	-0.07-1.08	0.75					
3.81	150	1.868	3.321	5.73	8.04	7.58	12.02	11.94	18.11	17.98	28.60	-0.30-1.27	-0.19-1.27	0.00-1.27	-0.09-1.34	0.93					
5.08	200	2.491	4.428	7.67	10.74	10.13	16.05	15.97	24.19	24.07	38.23	-0.40-1.69	-0.25-1.69	0.00-1.69	-0.12-1.79	1.25					
6.35	250	3.113	5.535	9.60	13.44	12.69	20.08	19.99	30.28	30.17	47.87	-0.50-2.12	-0.31-2.12	0.00-2.12	-0.16-2.24	-					
7.62	300	3.736	6.641	11.54	16.14	15.24	24.12	24.02	36.36	36.26	57.50	-0.60-2.54	-0.37-2.54	0.00-2.54	-0.19-2.69	-					
8.89	350	4.358	7.748	13.47	18.85	17.79	28.15	28.04	42.44	42.35	67.14	-0.70-2.96	-0.44-2.96	0.00-2.96	-0.22-3.14	-					
10.16	400	4.981	8.855	15.41	21.55	20.35	32.18	32.07	48.52	48.45	76.77	-0.80-3.39	-0.50-3.39	0.00-3.39	-0.25-3.59	-					
12.70	500	6.226	11.069	19.28	26.95	25.45	40.25	40.12	60.69	60.64	96.04	-1.00-4.23	-0.62-4.23	0.00-4.23	-	-					
15.24	600	7.472	13.283	23.15	32.36	30.56	48.31	48.17	72.85	72.82	115.30	-1.20-5.08	-0.75-5.08	0.00-5.08	-	-					

Screen aspect ratio 16:9

Unit: feet

Lens type				Fixed-Focus Lens				Zoom lens									
Projection lens Model No.				ET-DLE035		ET-DLE055		ET-DLE020G/ ET-DLE020		ET-DLE060		ET-DLE085		ET-DLE105		ET-DLE150	
Throw ratio				0.378:1		0.782:1		0.279-0.297:1		0.597-0.797:1		0.779-0.972:1		0.973-1.32:1		1.29-1.88:1	
Diagonal (SD)	Height (SH)	Width (SW)	Projection distance (L1)	From rear of set to screen (L4)	From top of set to bottom edge of screen (A1)	Projection distance (L)	Min. (LW)	Max. (LT)	Min. (LW)	Max. (LT)	Min. (LW)	Max. (LT)	Min. (LW)	Max. (LT)	Min. (LW)	Max. (LT)	
																	m
1.27	50	2.04	3.63	-	-	2.79	-	-	2.10	2.82	2.76	3.48	3.48	4.72	4.63	6.76	
1.52	60	2.45	4.36	-	-	3.38	-	-	2.56	3.45	3.35	4.20	4.20	5.71	5.58	8.14	
1.78	70	2.86	5.09	-	-	3.97	-	-	3.02	4.04	3.94	4.92	4.92	6.69	6.53	9.51	
2.03	80	3.27	5.81	-	-	4.53	-	-	3.48	4.63	4.53	5.64	5.64	7.64	7.51	10.89	
2.29	90	3.68	6.54	-	-	5.12	-	-	3.94	5.25	5.12	6.37	6.40	8.63	8.47	12.30	
2.54	100	4.09	7.26	2.76	0.69	1.67	5.71	2.00	2.13	4.40	5.84	5.71	7.09	7.12	9.61	9.42	13.68
3.05	120	4.90	8.72	3.28	1.21	2.07	6.89	2.40	2.59	5.28	7.02	6.86	8.53	8.56	11.55	11.32	16.44
3.81	150	6.13	10.90	4.10	2.03	2.63	8.66	3.02	3.25	6.66	8.83	8.63	10.73	10.76	14.50	14.21	20.60
5.08	200	8.17	14.53	5.48	3.41	3.58	11.58	4.07	4.36	8.96	11.84	11.55	14.34	14.40	19.36	19.00	27.53
6.35	250	10.21	18.16	6.86	4.76	4.53	-	5.12	5.48	11.22	14.83	14.47	17.95	18.05	24.25	23.82	34.45
7.62	300	12.26	21.79	8.20	6.14	5.51	-	6.14	6.59	13.52	17.85	17.39	21.59	21.65	29.13	28.61	41.34
8.89	350	14.30	25.42	9.58	7.51	6.46	-	7.19	7.71	15.78	20.83	20.31	25.20	25.30	34.02	33.40	48.26
10.16	400	16.34	29.05	-	-	-	-	8.24	8.83	18.08	23.85	23.23	28.81	28.94	38.88	38.19	55.18
12.70	500	20.43	36.32	-	-	-	-	-	-	22.64	29.86	29.10	36.06	36.22	48.66	47.80	69.03
15.24	600	24.51	43.58	-	-	-	-	-	-	27.20	35.86	34.94	43.31	43.50	58.40	57.38	82.87

Lens type				Zoom lens								Height from the edge of screen to center of lens (H)									
Projection lens Model No.				ET-DLE170		ET-DLE250		ET-DLE350		ET-DLE450		66%-18%		60%-18%		50%-18%		55%-22%		0%	
Throw ratio				1.71-2.40:1		2.26-3.60:1		3.56-5.42:1		5.33-8.53:1		ET-DLE150 ET-DLE170 ET-DLE250 ET-DLE350 ET-DLE450		ET-DLE085 ET-DLE105		ET-DLE060		ET-DLE020G/ ET-DLE020		ET-DLE055	
Diagonal (SD)	Height (SH)	Width (SW)	Projection distance (L1)	Min. (LW)	Max. (LT)	Min. (LW)	Max. (LT)	Min. (LW)	Max. (LT)	Min. (LW)	Max. (LT)	Min. (LW)	Max. (LT)	Min. (LW)	Max. (LT)	Min. (LW)	Max. (LT)	Min. (LW)	Max. (LT)	Min. (LW)	Max. (LT)
1.27	50	2.04	3.63	6.10	8.63	8.10	12.96	12.76	19.52	19.00	30.61	-0.33-1.38	-0.20-1.38	0.00-1.38	-	1.02					
1.52	60	2.45	4.36	7.38	10.40	9.78	15.62	15.42	23.49	23.00	36.94	-0.39-1.67	-0.23-1.67	0.00-1.67	-	1.21					
1.78	70	2.86	5.09	8.66	12.17	11.45	18.27	18.05	27.49	27.00	43.27	-0.46-1.94	-0.30-1.94	0.00-1.94	-	1.44					
2.03	80	3.27	5.81	9.91	13.94	13.16	20.90	20.70	31.50	31.00	49.57	-0.53-2.23	-0.33-2.23	0.00-2.23	-	1.64					
2.29	90	3.68	6.54	11.19	15.72	14.83	23.56	23.33	35.47	35.01	55.91	-0.59-2.49	-0.36-2.49	0.00-2.49	-	1.84					
2.54	100	4.09	7.26	12.47	17.49	16.50	26.21	25.98	39.47	39.01	62.24	-0.66-2.79	-0.39-2.79	0.00-2.79	-0.20-2.95	2.03					
3.05	120	4.90	8.72	14.99	21.03	19.85	31.50	31.27	47.44	46.98	74.87	-0.79-3.35	-0.49-3.35	0.00-3.35	-0.23-3.54	2.46					
3.81	150	6.13	10.90	18.80	26.38	24.87	39.44	39.17	59.42	58.99	93.83	-0.98-4.17	-0.62-4.17	0.00-4.17	-0.30-4.40	3.05					
5.08	200	8.17	14.53	25.16	35.24	33.24	52.66	52.40	79.36	78.97	125.43	-1.31-5.55	-0.82-5.55	0.00-5.55	-0.39-5.87	4.10					
6.35	250	10.21	18.16	31.50	44.09	41.63	65.88	65.58	99.34	98.98	157.05	-1.64-6.96	-1.02-6.96	0.00-6.96	-0.53-7.35	-					
7.62	300	12.26	21.79	37.86	52.95	50.00	79.13	78.81	119.29	118.96	188.65	-1.97-8.33	-1.21-8.33	0.00-8.33	-0.62-8.83	-					
8.89	350	14.30	25.42	44.19	61.84	58.37	92.36	92.00	139.24	138.94	220.28	-2.30-9.71	-1.44-9.71	0.00-9.71	-0.72-10.30	-					
10.16	400	16.34	29.05	50.56	70.70	66.77	105.58	105.22	159.19	158.96	251.87	-2.63-11.12	-1.64-11.12	0.00-11.12	-0.82-11.78	-					
12.70	500	20.43	36.32	63.26	88.42	83.50	132.05	131.63	199.11	198.95	315.09	-3.28-13.88	-2.03-13.88	0.00-13.88	-	-					
15.24	600	24.51	43.58	75.95	106.17	100.26	158.50	158.04	239.01	238.91	378.28	-3.94-16.67	-2.46-16.67	0.00-16.67	-	-					

Screen aspect ratio 16:10

Unit: meters

Lens type			Fixed-Focus Lens					Zoom lens									
Projection lens Model No.			ET-DLE035			ET-DLE055		ET-DLE020G/ ET-DLE020		ET-DLE060		ET-DLE085		ET-DLE105		ET-DLE150	
Throw ratio			0.420:1			0.871:1		0.310-0.331:1		0.666-0.888:1		0.867-1.08:1		1.08-1.47:1		1.44-2.09:1	
Diagonal (SD)	Height (SH)	Width (SW)	Projection distance (L1)	From rear of set to screen (L4)	From top of set to bottom edge of screen (A1)	Projection distance (L)	Min. (LW)	Max. (LT)	Min. (LW)	Max. (LT)	Min. (LW)	Max. (LT)	Min. (LW)	Max. (LT)	Min. (LW)	Max. (LT)	
																	m
1.27	50	0.673	1.077	-	-	0.92	-	-	0.70	0.94	0.92	1.15	1.15	1.56	1.53	2.23	
1.52	60	0.808	1.292	-	-	1.11	-	-	0.85	1.14	1.11	1.39	1.39	1.88	1.84	2.69	
1.78	70	0.942	1.508	-	-	1.31	-	-	1.00	1.33	1.30	1.63	1.63	2.20	2.16	3.14	
2.03	80	1.077	1.723	-	-	1.50	-	-	1.15	1.53	1.49	1.86	1.87	2.53	2.47	3.60	
2.29	90	1.212	1.939	-	-	1.69	-	-	1.30	1.73	1.69	2.10	2.11	2.85	2.79	4.05	
2.54	100	1.346	2.154	0.90	0.27	1.89	0.66	0.71	1.45	1.93	1.88	2.34	2.35	3.17	3.11	4.51	
3.05	120	1.615	2.585	1.08	0.45	2.27	0.79	0.85	1.75	2.32	2.27	2.82	2.83	3.81	3.74	5.42	
3.81	150	2.019	3.231	1.35	0.72	2.85	1.00	1.07	2.20	2.92	2.84	3.53	3.55	4.78	4.69	6.79	
5.08	200	2.692	4.308	1.80	1.17	3.82	1.34	1.44	2.95	3.91	3.81	4.73	4.75	6.39	6.27	9.07	
6.35	250	3.365	5.385	2.25	1.62	1.50	-	1.68	1.81	3.70	4.89	4.77	5.92	5.94	7.99	7.85	11.35
7.62	300	4.039	6.462	2.70	2.07	1.82	-	2.03	2.17	4.45	5.88	5.73	7.11	7.14	9.60	9.43	13.63
8.89	350	4.712	7.539	3.15	2.52	2.13	-	2.37	2.54	5.21	6.87	6.70	8.31	8.34	11.21	11.01	15.91
10.16	400	5.385	8.616	-	-	-	-	2.71	2.91	5.96	7.86	7.66	9.50	9.54	12.82	12.59	18.19
12.70	500	6.731	10.770	-	-	-	-	-	-	7.46	9.84	9.59	11.88	11.94	16.03	15.75	22.75
15.24	600	8.077	12.923	-	-	-	-	-	-	8.96	11.82	11.52	14.27	14.34	19.25	18.91	27.31

Lens type			Zoom lens								Height from the edge of screen to center of lens (H)									
Projection lens Model No.			ET-DLE170		ET-DLE250		ET-DLE350		ET-DLE450		66%-18%		60%-18%		50%-18%		55%-22%		0%	
Throw ratio			1.90-2.67:1		2.52-4.00:1		3.96-6.0:1		5.94-9.50:1		ET-DLE150 ET-DLE170 ET-DLE250 ET-DLE350 ET-DLE450		ET-DLE085 ET-DLE105		ET-DLE060		ET-DLE020G/ ET-DLE020		ET-DLE055	
Diagonal (SD)	Height (SH)	Width (SW)	Min. (LW)	Max. (LT)	Min. (LW)	Max. (LT)	Min. (LW)	Max. (LT)	Min. (LW)	Max. (LT)	Min. (LW)	Max. (LT)	Min. (LW)	Max. (LT)	Min. (LW)	Max. (LT)	Min. (LW)	Max. (LT)	Min. (LW)	Max. (LT)
1.27	50	0.673	1.077	2.02	2.85	2.68	4.28	4.22	6.44	6.29	10.12	-0.11-0.46	-0.07-0.46	0.00-0.46	-	0.34				
1.52	60	0.808	1.292	2.44	3.43	3.23	5.15	5.09	7.76	7.60	12.20	-0.13-0.55	-0.08-0.55	0.00-0.55	-	0.40				
1.78	70	0.942	1.508	2.85	4.02	3.78	6.02	5.96	9.07	8.92	14.28	-0.15-0.64	-0.09-0.64	0.00-0.64	-	0.47				
2.03	80	1.077	1.723	3.27	4.60	4.34	6.90	6.83	10.39	10.24	16.36	-0.17-0.73	-0.11-0.73	0.00-0.73	-	0.54				
2.29	90	1.212	1.939	3.69	5.19	4.89	7.77	7.70	11.70	11.56	18.45	-0.19-0.82	-0.12-0.82	0.00-0.82	-	0.61				
2.54	100	1.346	2.154	4.11	5.77	5.44	8.64	8.57	13.02	12.87	20.53	-0.22-0.92	-0.13-0.92	0.00-0.92	-0.07-0.97	0.67				
3.05	120	1.615	2.585	4.95	6.94	6.54	10.38	10.31	15.65	15.51	24.70	-0.26-1.10	-0.16-1.10	0.00-1.10	-0.08-1.16	0.81				
3.81	150	2.019	3.231	6.20	8.69	8.20	13.00	12.92	19.59	19.46	30.94	-0.32-1.37	-0.20-1.37	0.00-1.37	-0.10-1.45	1.01				
5.08	200	2.692	4.308	8.29	11.61	10.96	17.36	17.27	26.17	26.05	41.36	-0.43-1.83	-0.27-1.83	0.00-1.83	-0.13-1.94	1.35				
6.35	250	3.365	5.385	10.39	14.54	13.72	21.72	21.62	32.74	32.64	51.77	-0.54-2.29	-0.34-2.29	0.00-2.29	-0.17-2.42	-				
7.62	300	4.039	6.462	12.48	17.46	16.48	26.08	25.97	39.32	39.22	62.19	-0.65-2.75	-0.40-2.75	0.00-2.75	-0.20-2.91	-				
8.89	350	4.712	7.539	14.57	20.38	19.24	30.44	30.32	45.89	45.81	72.60	-0.75-3.20	-0.47-3.20	0.00-3.20	-0.24-3.39	-				
10.16	400	5.385	8.616	16.66	23.30	22.00	34.80	34.68	52.47	52.40	83.02	-0.86-3.66	-0.54-3.66	0.00-3.66	-0.27-3.88	-				
12.70	500	6.731	10.770	20.85	29.14	27.52	43.52	43.38	65.62	65.57	103.84	-1.08-4.58	-0.67-4.58	0.00-4.58	-	-				
15.24	600	8.077	12.923	25.03	34.99	33.04	52.24	52.08	78.77	78.75	124.67	-1.29-5.49	-0.81-5.49	0.00-5.49	-	-				

Screen aspect ratio 16:10

Unit: feet

Lens type			Fixed-Focus Lens					Zoom lens									
Projection lens Model No.			ET-DLE035			ET-DLE055		ET-DLE020G/ ET-DLE020		ET-DLE060		ET-DLE085		ET-DLE105		ET-DLE150	
Throw ratio			0.420:1			0.871:1		0.310-0.331:1		0.666-0.888:1		0.867-1.08:1		1.08-1.47:1		1.44-2.09:1	
Diagonal (SD)	Height (SH)	Width (SW)	Projection distance (L1)	From rear of set to screen (L4)	From top of set to bottom edge of screen (A1)	Projection distance (L)	Min. (LW)	Max. (LT)	Min. (LW)	Max. (LT)	Min. (LW)	Max. (LT)	Min. (LW)	Max. (LT)	Min. (LW)	Max. (LT)	
																	m
1.27	50	2.21	3.53	-	-	-	3.02	-	-	2.30	3.08	3.02	3.77	3.77	5.12	5.02	7.32
1.52	60	2.65	4.24	-	-	-	3.64	-	-	2.79	3.74	3.64	4.56	4.56	6.17	6.04	8.83
1.78	70	3.09	4.95	-	-	-	4.30	-	-	3.28	4.36	4.27	5.35	5.35	7.22	7.09	10.30
2.03	80	3.53	5.65	-	-	-	4.92	-	-	3.77	5.02	4.89	6.10	6.14	8.30	8.10	11.81
2.29	90	3.98	6.36	-	-	-	5.55	-	-	4.27	5.68	5.55	6.89	6.92	9.35	9.15	13.29
2.54	100	4.42	7.07	2.95	0.89	1.84	6.20	2.17	2.33	4.76	6.33	6.17	7.68	7.71	10.40	10.20	14.80
3.05	120	5.30	8.48	3.54	1.48	2.23	7.45	2.59	2.79	5.74	7.61	7.45	9.25	9.29	12.50	12.27	17.78
3.81	150	6.62	10.60	4.43	2.36	2.85	9.35	3.28	3.51	7.22	9.58	9.32	11.58	11.65	15.68	15.39	22.28
5.08	200	8.83	14.13	5.91	3.84	3.90	12.53	4.40	4.72	9.68	12.83	12.50	15.52	15.58	20.97	20.57	29.76
6.35	250	11.04	17.67	7.38	5.32	4.92	-	5.51	5.94	12.14	16.04	15.65	19.42	19.49	26.21	25.76	37.24
7.62	300	13.25	21.20	8.86	6.79	5.97	-	6.66	7.12	14.60	19.29	18.80	23.33	23.43	31.50	30.94	44.72
8.89	350	15.46	24.73	10.34	8.27	6.99	-	7.78	8.33	17.09	22.54	21.98	27.26	27.36	36.78	36.12	52.20
10.16	400	17.67	28.27	-	-	-	-	8.89	9.55	19.55	25.79	25.13	31.17	31.30	42.06	41.31	59.68
12.70	500	22.08	35.34	-	-	-	-	-	-	24.48	32.28	31.46	38.98	39.17	52.59	51.67	74.64
15.24	600	26.50	42.40	-	-	-	-	-	-	29.40	38.78	37.80	46.82	47.05	63.16	62.04	89.60

Lens type			Zoom lens								Height from the edge of screen to center of lens (H)									
Projection lens Model No.			ET-DLE170		ET-DLE250		ET-DLE350		ET-DLE450		66%-18%		60%-18%		50%-18%		55%-22%		0%	
Throw ratio			1.90-2.67:1		2.52-4.00:1		3.96-6.0:1		5.94-9.50:1		ET-DLE150 ET-DLE170 ET-DLE250 ET-DLE350 ET-DLE450		ET-DLE085 ET-DLE105		ET-DLE060		ET-DLE020G/ ET-DLE020		ET-DLE055	
Diagonal (SD)	Height (SH)	Width (SW)	Min. (LW)	Max. (LT)	Min. (LW)	Max. (LT)	Min. (LW)	Max. (LT)	Min. (LW)	Max. (LT)	Min. (LW)	Max. (LT)	Min. (LW)	Max. (LT)	Min. (LW)	Max. (LT)	Min. (LW)	Max. (LT)	Min. (LW)	Max. (LT)
1.27	50	2.21	3.53	6.63	9.35	8.79	14.04	13.85	21.13	20.64	33.14	-0.36-1.51	-0.23-1.51	0.00-1.51	-	-	-	-	-	1.12
1.52	60	2.65	4.24	8.01	11.25	10.60	16.90	16.70	25.46	24.93	40.03	-0.43-1.80	-0.26-1.80	0.00-1.80	-	-	-	-	-	1.31
1.78	70	3.09	4.95	9.35	13.19	12.40	19.75	19.55	29.76	29.27	46.85	-0.49-2.10	-0.30-2.10	0.00-2.10	-	-	-	-	-	1.54
2.03	80	3.53	5.65	10.73	15.09	14.24	22.64	22.41	34.09	33.60	53.68	-0.56-2.40	-0.36-2.40	0.00-2.40	-	-	-	-	-	1.77
2.29	90	3.98	6.36	12.11	17.03	16.04	25.49	25.26	38.39	37.93	60.53	-0.62-2.69	-0.39-2.69	0.00-2.69	-	-	-	-	-	2.00
2.54	100	4.42	7.07	13.48	18.93	17.85	28.35	28.12	42.72	42.22	67.36	-0.72-3.02	-0.43-3.02	0.00-3.02	-0.23-3.18	-	-	-	-	2.20
3.05	120	5.30	8.48	16.24	22.77	21.46	34.06	33.83	51.35	50.89	81.04	-0.85-3.61	-0.53-3.61	0.00-3.61	-0.26-3.81	-	-	-	-	2.66
3.81	150	6.62	10.60	20.34	28.51	26.90	42.65	42.39	64.27	63.85	101.51	-1.05-4.50	-0.66-4.50	0.00-4.50	-0.33-4.76	-	-	-	-	3.31
5.08	200	8.83	14.13	27.20	38.09	35.96	56.96	56.66	85.86	85.47	135.70	-1.41-6.00	-0.89-6.00	0.00-6.00	-0.43-6.37	-	-	-	-	4.43
6.35	250	11.04	17.67	34.09	47.70	45.01	71.26	70.93	107.42	107.09	169.85	-1.77-7.51	-1.12-7.51	0.00-7.51	-0.56-7.94	-	-	-	-	-
7.62	300	13.25	21.20	40.95	57.28	54.07	85.56	85.20	129.00	128.68	204.04	-2.13-9.02	-1.31-9.02	0.00-9.02	-0.66-9.55	-	-	-	-	-
8.89	350	15.46	24.73	47.80	66.86	63.12	99.87	99.48	150.56	150.30	238.19	-2.46-10.50	-1.54-10.50	0.00-10.50	-0.79-11.12	-	-	-	-	-
10.16	400	17.67	28.27	54.66	76.44	72.18	114.17	113.78	172.15	171.92	272.31	-2.82-12.01	-1.77-12.01	0.00-12.01	-0.89-12.73	-	-	-	-	-
12.70	500	22.08	35.34	68.41	95.60	90.29	142.78	142.32	215.29	215.13	340.68	-3.54-15.03	-2.20-15.03	0.00-15.03	-	-	-	-	-	-
15.24	600	26.50	42.40	82.12	114.80	108.40	171.39	170.87	258.43	258.37	409.02	-4.23-18.01	-2.66-18.01	0.00-18.01	-	-	-	-	-	-

Screen aspect ratio 4:3

Unit: meters

Lens type			Fixed-Focus Lens					Zoom lens										
Projection lens Model No.			ET-DLE035		ET-DLE055			ET-DLE020G/ ET-DLE020		ET-DLE060		ET-DLE085		ET-DLE105		ET-DLE150		
Throw ratio			0.503:1			1.05:1			0.373-0.399:1		0.804-1.07:1		1.04-1.30:1		1.30-1.76:1		1.73-2.51:1	
Diagonal (SD)	Height (SH)	Width (SW)	Projection distance (L1)	From rear of set to screen (L4)	From top of set to bottom edge of screen (A1)	Projection distance (L)	Min. (LW)	Max. (LT)	Min. (LW)	Max. (LT)	Min. (LW)	Max. (LT)	Min. (LW)	Max. (LT)	Min. (LW)	Max. (LT)	Min. (LW)	Max. (LT)
							m	inches										
1.27	50	0.762	1.016	-	-	-	1.05	-	-	0.80	1.07	1.04	1.31	1.31	1.77	1.74	2.53	
1.52	60	0.914	1.219	-	-	-	1.27	-	-	0.97	1.29	1.26	1.58	1.58	2.14	2.09	3.05	
1.78	70	1.067	1.422	-	-	-	1.49	-	-	1.14	1.52	1.48	1.85	1.85	2.50	2.45	3.56	
2.03	80	1.219	1.626	-	-	-	1.70	-	-	1.31	1.74	1.70	2.12	2.12	2.87	2.81	4.08	
2.29	90	1.372	1.829	-	-	-	1.92	-	-	1.48	1.96	1.92	2.39	2.39	3.23	3.17	4.60	
2.54	100	1.524	2.032	1.02	0.39	0.64	2.14	0.75	0.80	1.65	2.19	2.13	2.66	2.66	3.59	3.52	5.11	
3.05	120	1.829	2.438	1.23	0.60	0.78	2.58	0.90	0.97	1.99	2.64	2.57	3.20	3.21	4.32	4.24	6.14	
3.81	150	2.286	3.048	1.53	0.90	1.00	3.24	1.14	1.22	2.50	3.31	3.23	4.01	4.02	5.41	5.31	7.69	
5.08	200	3.048	4.064	2.04	1.41	1.35	4.33	1.52	1.63	3.35	4.43	4.32	5.36	5.38	7.24	7.10	10.27	
6.35	250	3.810	5.080	2.55	1.92	1.71	-	1.91	2.05	4.20	5.55	5.41	6.71	6.74	9.06	8.89	12.86	
7.62	300	4.572	6.096	3.06	2.43	2.07	-	2.30	2.46	5.05	6.67	6.50	8.06	8.09	10.88	10.68	15.44	
8.89	350	5.334	7.112	3.57	2.94	2.42	-	2.69	2.88	5.90	7.79	7.59	9.41	9.45	12.70	12.47	18.02	
10.16	400	6.096	8.128	-	-	-	-	3.07	3.29	6.75	8.91	8.68	10.76	10.81	14.52	14.26	20.60	
12.70	500	7.620	10.160	-	-	-	-	-	-	8.45	11.15	10.86	13.46	13.52	18.16	17.84	25.76	
15.24	600	9.144	12.192	-	-	-	-	-	-	10.16	13.39	13.04	16.16	16.24	21.80	21.42	30.92	

Lens type			Zoom lens								Height from the edge of screen to center of lens (H)									
Projection lens Model No.			ET-DLE170		ET-DLE250		ET-DLE350		ET-DLE450		66%-18%		60%-18%		50%-18%		55%-22%		0%	
Throw ratio			2.29-3.21:1		3.03-4.81:1		4.77-7.24:1		7.15-11.4:1		ET-DLE150 ET-DLE170 ET-DLE250 ET-DLE350 ET-DLE450		ET-DLE085 ET-DLE105		ET-DLE060		ET-DLE020G/ ET-DLE020		ET-DLE055	
Diagonal (SD)	Height (SH)	Width (SW)	Min. (LW)	Max. (LT)	Min. (LW)	Max. (LT)	Min. (LW)	Max. (LT)	Min. (LW)	Max. (LT)	Min. (LW)	Max. (LT)	Min. (LW)	Max. (LT)	Min. (LW)	Max. (LT)	Min. (LW)	Max. (LT)	Min. (LW)	Max. (LT)
			m	inches																
1.27	50	0.762	1.016	2.29	3.24	3.05	4.86	4.79	7.31	7.16	11.49	-0.12-0.52	-0.08-0.52	0.00-0.52	-	0.38				
1.52	60	0.914	1.219	2.77	3.90	3.67	5.84	5.78	8.80	8.65	13.85	-0.15-0.62	-0.09-0.62	0.00-0.62	-	0.46				
1.78	70	1.067	1.422	3.24	4.56	4.30	6.83	6.76	10.29	10.14	16.21	-0.17-0.73	-0.11-0.73	0.00-0.73	-	0.53				
2.03	80	1.219	1.626	3.72	5.22	4.92	7.82	7.75	11.78	11.63	18.56	-0.20-0.83	-0.12-0.83	0.00-0.83	-	0.61				
2.29	90	1.372	1.829	4.19	5.88	5.55	8.80	8.73	13.26	13.12	20.92	-0.22-0.93	-0.14-0.93	0.00-0.93	-	0.69				
2.54	100	1.524	2.032	4.66	6.54	6.17	9.79	9.72	14.75	14.61	23.28	-0.24-1.04	-0.15-1.04	0.00-1.04	-0.08-1.10	0.76				
3.05	120	1.829	2.438	5.61	7.87	7.42	11.77	11.69	17.73	17.60	28.00	-0.29-1.24	-0.18-1.24	0.00-1.24	-0.09-1.32	0.91				
3.81	150	2.286	3.048	7.03	9.85	9.29	14.73	14.64	22.20	22.07	35.07	-0.37-1.55	-0.23-1.55	0.00-1.55	-0.11-1.65	1.14				
5.08	200	3.048	4.064	9.40	13.16	12.42	19.66	19.57	29.64	29.53	46.86	-0.49-2.07	-0.30-2.07	0.00-2.07	-0.15-2.19	1.52				
6.35	250	3.810	5.080	11.77	16.47	15.54	24.60	24.50	37.08	36.99	58.65	-0.61-2.59	-0.38-2.59	0.00-2.59	-0.19-2.74	-				
7.62	300	4.572	6.096	14.14	19.77	18.67	29.53	29.42	44.53	44.44	70.44	-0.73-3.11	-0.46-3.11	0.00-3.11	-0.23-3.29	-				
8.89	350	5.334	7.112	16.51	23.08	21.79	34.47	34.35	51.97	51.90	82.23	-0.85-3.63	-0.53-3.63	0.00-3.63	-0.27-3.84	-				
10.16	400	6.096	8.128	18.87	26.39	24.92	39.41	39.27	59.42	59.36	94.02	-0.98-4.15	-0.61-4.15	0.00-4.15	-0.30-4.39	-				
12.70	500	7.620	10.160	23.61	33.00	31.17	49.28	49.13	74.30	74.27	117.60	-1.22-5.18	-0.76-5.18	0.00-5.18	-	-				
15.24	600	9.144	12.192	28.35	39.62	37.42	59.15	58.98	89.19	89.19	141.18	-1.46-6.22	-0.91-6.22	0.00-6.22	-	-				

Screen aspect ratio 4:3

Unit: feet

Lens type				Fixed-Focus Lens					Zoom lens									
Projection lens Model No.				ET-DLE035			ET-DLE055	ET-DLE020G/ ET-DLE020		ET-DLE060		ET-DLE085		ET-DLE105		ET-DLE150		
Throw ratio				0.503:1			1.05:1	0.373-0.399:1		0.804-1.07:1		1.04-1.30:1		1.30-1.76:1		1.73-2.51:1		
Diagonal (SD)		Height (SH)	Width (SW)	Projection distance (L1)	From rear of set to screen (L4)	From top of set to bottom edge of screen (A1)	Projection distance (L)	Min. (LW)	Max. (LT)	Min. (LW)	Max. (LT)	Min. (LW)	Max. (LT)	Min. (LW)	Max. (LT)	Min. (LW)	Max. (LT)	
																		m
1.27	50	2.50	3.33	-	-	-	3.45	-	-	2.63	3.51	3.41	4.30	4.30	5.81	5.71	8.30	
1.52	60	3.00	4.00	-	-	-	4.17	-	-	3.18	4.23	4.13	5.18	5.18	7.02	6.86	10.01	
1.78	70	3.50	4.67	-	-	-	4.89	-	-	3.74	4.99	4.86	6.07	6.07	8.20	8.04	11.68	
2.03	80	4.00	5.34	-	-	-	5.58	-	-	4.30	5.71	5.58	6.96	6.96	9.42	9.22	13.39	
2.29	90	4.50	6.00	-	-	-	6.30	-	-	4.86	6.43	6.30	7.84	7.84	10.60	10.40	15.09	
2.54	100	5.00	6.67	3.35	1.28	2.10	7.02	2.46	2.63	5.41	7.19	6.99	8.73	8.73	11.78	11.55	16.77	
3.05	120	6.00	8.00	4.04	1.97	2.56	8.47	2.95	3.18	6.53	8.66	8.43	10.50	10.53	14.17	13.91	20.14	
3.81	150	7.50	10.00	5.02	2.95	3.28	10.63	3.74	4.00	8.20	10.86	10.60	13.16	13.19	17.75	17.42	25.23	
5.08	200	10.00	13.33	6.69	4.63	4.43	14.21	4.99	5.35	10.99	14.53	14.17	17.59	17.65	23.75	23.29	33.69	
6.35	250	12.50	16.67	8.37	6.30	5.61	-	6.27	6.73	13.78	18.21	17.75	22.01	22.11	29.72	29.17	42.19	
7.62	300	15.00	20.00	10.04	7.97	6.79	-	7.55	8.07	16.57	21.88	21.33	26.44	26.54	35.70	35.04	50.66	
8.89	350	17.50	23.33	11.71	9.65	7.94	-	8.83	9.45	19.36	25.56	24.90	30.87	31.00	41.67	40.91	59.12	
10.16	400	20.00	26.67	-	-	-	-	10.07	10.79	22.15	29.23	28.48	35.30	35.47	47.64	46.79	67.59	
12.70	500	25.00	33.33	-	-	-	-	-	-	27.72	36.58	35.63	44.16	44.36	59.58	58.53	84.51	
15.24	600	30.00	40.00	-	-	-	-	-	-	33.33	43.93	42.78	53.02	53.28	71.52	70.28	101.44	

Lens type				Zoom lens								Height from the edge of screen to center of lens (H)									
Projection lens Model No.				ET-DLE170		ET-DLE250		ET-DLE350		ET-DLE450		66%-18%		60%-18%		50%-18%		55%-22%		0%	
Throw ratio				2.29-3.21:1		3.03-4.81:1		4.77-7.24:1		7.15-11.4:1		ET-DLE150 ET-DLE170 ET-DLE250 ET-DLE350 ET-DLE450		ET-DLE085 ET-DLE105		ET-DLE060		ET-DLE020G/ ET-DLE020		ET-DLE055	
Diagonal (SD)		Height (SH)	Width (SW)	Min. (LW)	Max. (LT)	Min. (LW)	Max. (LT)	Min. (LW)	Max. (LT)	Min. (LW)	Max. (LT)	Min. (LW)	Max. (LT)	Min. (LW)	Max. (LT)	Min. (LW)	Max. (LT)	Min. (LW)	Max. (LT)	Min. (LW)	Max. (LT)
1.27	50	2.50	3.33	7.51	10.63	10.01	15.95	15.72	23.98	23.49	37.70	-0.39-1.71	-0.26-1.71	0.00-1.71	-	1.25					
1.52	60	3.00	4.00	9.09	12.80	12.04	19.16	18.96	28.87	28.38	45.44	-0.49-2.03	-0.30-2.03	0.00-2.03	-	1.51					
1.78	70	3.50	4.67	10.63	14.96	14.11	22.41	22.18	33.76	33.27	53.18	-0.56-2.40	-0.36-2.40	0.00-2.40	-	1.74					
2.03	80	4.00	5.34	12.21	17.13	16.14	25.66	25.43	38.65	38.16	60.89	-0.66-2.72	-0.39-2.72	0.00-2.72	-	2.00					
2.29	90	4.50	6.00	13.75	19.29	18.21	28.87	28.64	43.50	43.05	68.64	-0.72-3.05	-0.46-3.05	0.00-3.05	-	2.26					
2.54	100	5.00	6.67	15.29	21.46	20.24	32.12	31.89	48.39	47.93	76.38	-0.79-3.41	-0.49-3.41	0.00-3.41	-0.26-3.61	2.49					
3.05	120	6.00	8.00	18.41	25.82	24.34	38.62	38.35	58.17	57.74	91.86	-0.95-4.07	-0.59-4.07	0.00-4.07	-0.30-4.33	2.99					
3.81	150	7.50	10.00	23.06	32.32	30.48	48.33	48.03	72.84	72.41	115.06	-1.21-5.09	-0.76-5.09	0.00-5.09	-0.36-5.41	3.74					
5.08	200	10.00	13.33	30.84	43.18	40.75	64.50	64.21	97.24	96.88	153.74	-1.61-6.79	-0.98-6.79	0.00-6.79	-0.49-7.19	4.99					
6.35	250	12.50	16.67	38.62	54.04	50.98	80.71	80.38	121.65	121.36	192.42	-2.00-8.50	-1.25-8.50	0.00-8.50	-0.62-8.99	-					
7.62	300	15.00	20.00	46.39	64.86	61.25	96.88	96.52	146.10	145.80	231.10	-2.40-10.20	-1.51-10.20	0.00-10.20	-0.76-10.79	-					
8.89	350	17.50	23.33	54.17	75.72	71.49	113.09	112.70	170.51	170.28	269.78	-2.79-11.91	-1.74-11.91	0.00-11.91	-0.89-12.60	-					
10.16	400	20.00	26.67	61.91	86.58	81.76	129.30	128.84	194.95	194.75	308.47	-3.22-13.62	-2.00-13.62	0.00-13.62	-0.98-14.40	-					
12.70	500	25.00	33.33	77.46	108.27	102.26	161.68	161.19	243.77	243.67	385.83	-4.00-17.00	-2.49-17.00	0.00-17.00	-	-					
15.24	600	30.00	40.00	93.01	129.99	122.77	194.06	193.50	292.62	292.62	463.19	-4.79-20.41	-2.99-20.41	0.00-20.41	-	-					

Screen aspect ratio 21:9

Unit: meters

Lens type				Fixed-Focus Lens				Zoom lens									
Projection lens Model No.				ET-DLE035		ET-DLE055		ET-DLE020G/ ET-DLE020		ET-DLE060		ET-DLE085		ET-DLE105		ET-DLE150	
Throw ratio				0.378:1		0.783:1		0.279-0.298:1		0.599-0.799:1		0.780-0.973:1		0.975-1.32:1		1.29-1.88:1	
Diagonal (SD)		Height (SH)	Width (SW)	Projection distance (L1)	From rear of set to screen (L4)	From top of set to bottom edge of screen (A1)	Projection distance (L)	Min. (LW)	Max. (LT)	Min. (LW)	Max. (LT)	Min. (LW)	Max. (LT)	Min. (LW)	Max. (LT)	Min. (LW)	Max. (LT)
m	inches																
1.27	50	0.494	1.170	-	-	-	0.90	-	-	0.68	0.92	0.90	1.12	1.12	1.53	1.49	2.18
1.52	60	0.592	1.404	-	-	-	1.09	-	-	0.83	1.11	1.08	1.36	1.36	1.84	1.80	2.63
1.78	70	0.691	1.638	-	-	-	1.28	-	-	0.97	1.30	1.27	1.59	1.59	2.15	2.11	3.07
2.03	80	0.790	1.872	-	-	-	1.47	-	-	1.12	1.50	1.46	1.82	1.83	2.47	2.42	3.52
2.29	90	0.889	2.106	-	-	-	1.66	-	-	1.27	1.69	1.65	2.06	2.06	2.78	2.73	3.96
2.54	100	0.987	2.340	0.88	0.25	0.71	1.84	0.64	0.69	1.41	1.88	1.84	2.29	2.29	3.10	3.04	4.41
3.05	120	1.185	2.808	1.06	0.43	0.86	2.22	0.78	0.83	1.71	2.27	2.21	2.76	2.76	3.73	3.66	5.30
3.81	150	1.481	3.510	1.32	0.69	1.10	2.79	0.98	1.05	2.15	2.85	2.78	3.46	3.47	4.67	4.58	6.64
5.08	200	1.975	4.681	1.76	1.13	1.49	3.74	1.31	1.41	2.88	3.82	3.72	4.62	4.64	6.24	6.13	8.87
6.35	250	2.468	5.851	2.20	1.57	1.88	-	1.65	1.76	3.62	4.78	4.66	5.79	5.81	7.82	7.67	11.10
7.62	300	2.962	7.021	2.64	2.01	2.27	-	1.98	2.12	4.35	5.75	5.61	6.95	6.98	9.39	9.22	13.33
8.89	350	3.456	8.191	3.08	2.45	2.66	-	2.32	2.48	5.09	6.72	6.55	8.12	8.16	10.96	10.76	15.56
10.16	400	3.949	9.361	-	-	-	-	2.65	2.84	5.82	7.69	7.49	9.29	9.33	12.53	12.31	17.79
12.70	500	4.936	11.701	-	-	-	-	-	-	7.29	9.62	9.38	11.62	11.68	15.68	15.40	22.25
15.24	600	5.924	14.042	-	-	-	-	-	-	8.76	11.56	11.26	13.95	14.02	18.82	18.49	26.70

Lens type				Zoom lens								Height from the edge of screen to center of lens (H)									
Projection lens Model No.				ET-DLE170		ET-DLE250		ET-DLE350		ET-DLE450		66%-18%		60%-18%		50%-18%		55%-22%		0%	
Throw ratio				1.71-2.40:1		2.26-3.60:1		3.56-5.42:1		5.34-8.54:1		ET-DLE150 ET-DLE170 ET-DLE250 ET-DLE350 ET-DLE450		ET-DLE085 ET-DLE105		ET-DLE060		ET-DLE020G/ ET-DLE020		ET-DLE055	
Diagonal (SD)		Height (SH)	Width (SW)	Min. (LW)	Max. (LT)	Min. (LW)	Max. (LT)	Min. (LW)	Max. (LT)	Min. (LW)	Max. (LT)	Min. (LW)	Max. (LT)	Min. (LW)	Max. (LT)	Min. (LW)	Max. (LT)	Min. (LW)	Max. (LT)		
m	inches																				
1.27	50	0.494	1.170	1.97	2.78	2.62	4.18	4.12	6.30	6.14	9.88	-0.19-0.37	-0.15-0.37	-0.08-0.37	-	-	-	-	0.25		
1.52	60	0.592	1.404	2.38	3.36	3.16	5.04	4.97	7.58	7.43	11.92	-0.23-0.44	-0.18-0.44	-0.10-0.44	-	-	-	-	0.30		
1.78	70	0.691	1.638	2.79	3.93	3.70	5.89	5.82	8.87	8.72	13.96	-0.26-0.51	-0.21-0.51	-0.12-0.51	-	-	-	-	0.35		
2.03	80	0.790	1.872	3.20	4.50	4.24	6.74	6.67	10.15	10.01	16.00	-0.30-0.58	-0.24-0.58	-0.13-0.58	-	-	-	-	0.39		
2.29	90	0.889	2.106	3.61	5.07	4.78	7.59	7.52	11.44	11.29	18.03	-0.34-0.66	-0.27-0.66	-0.15-0.66	-	-	-	-	0.44		
2.54	100	0.987	2.340	4.02	5.64	5.32	8.45	8.38	12.72	12.58	20.07	-0.38-0.73	-0.30-0.73	-0.16-0.73	-0.23-0.78	-	-	-	0.49		
3.05	120	1.185	2.808	4.84	6.78	6.40	10.15	10.08	15.30	15.16	24.14	-0.45-0.88	-0.36-0.88	-0.20-0.88	-0.28-0.94	-	-	-	0.59		
3.81	150	1.481	3.510	6.06	8.50	8.02	12.71	12.63	19.15	19.02	30.25	-0.56-1.10	-0.44-1.10	-0.25-1.10	-0.35-1.17	-	-	-	0.74		
5.08	200	1.975	4.681	8.11	11.36	10.72	16.97	16.89	25.58	25.47	40.44	-0.75-1.46	-0.59-1.46	-0.33-1.46	-0.46-1.57	-	-	-	0.99		
6.35	250	2.468	5.851	10.16	14.21	13.42	21.24	21.14	32.01	31.91	50.62	-0.94-1.83	-0.74-1.83	-0.41-1.83	-0.58-1.96	-	-	-	-		
7.62	300	2.962	7.021	12.20	17.07	16.12	25.50	25.40	38.44	38.35	60.80	-1.13-2.19	-0.89-2.19	-0.49-2.19	-0.69-2.35	-	-	-	-		
8.89	350	3.456	8.191	14.25	19.93	18.82	29.76	29.65	44.87	44.79	70.99	-1.31-2.56	-1.04-2.56	-0.58-2.56	-0.81-2.74	-	-	-	-		
10.16	400	3.949	9.361	16.29	22.78	21.51	34.03	33.91	51.30	51.23	81.17	-1.50-2.92	-1.18-2.92	-0.66-2.92	-0.92-3.13	-	-	-	-		
12.70	500	4.936	11.701	20.39	28.50	26.91	42.55	42.42	64.16	64.12	101.54	-1.88-3.65	-1.48-3.65	-0.82-3.65	-	-	-	-	-		
15.24	600	5.924	14.042	24.48	34.21	32.31	51.08	50.93	77.02	77.00	121.91	-2.25-4.38	-1.78-4.38	-0.99-4.38	-	-	-	-	-		

Screen aspect ratio 21:9

Unit: feet

Lens type			Fixed-Focus Lens					Zoom lens									
Projection lens Model No.			ET-DLE035			ET-DLE055		ET-DLE020G/ ET-DLE020		ET-DLE060		ET-DLE085		ET-DLE105		ET-DLE150	
Throw ratio			0.378:1			0.783:1		0.279-0.298:1		0.599-0.799:1		0.780-0.973:1		0.975-1.32:1		1.29-1.88:1	
Diagonal (SD)	Height (SH)	Width (SW)	Projection distance (L1)	From rear of set to screen	From top of set to bottom edge of screen	Projection distance (L)	Min. (LW)	Max. (LT)	Min. (LW)	Max. (LT)	Min. (LW)	Max. (LT)	Min. (LW)	Max. (LT)	Min. (LW)	Max. (LT)	
				(L4)	(A1)												
m	inches																
1.27	50	1.62	3.84	-	-	-	2.95	-	-	2.23	3.02	2.95	3.68	3.68	5.02	4.89	7.15
1.52	60	1.94	4.61	-	-	-	3.58	-	-	2.72	3.64	3.54	4.46	4.46	6.04	5.91	8.63
1.78	70	2.27	5.37	-	-	-	4.20	-	-	3.18	4.27	4.17	5.22	5.22	7.05	6.92	10.07
2.03	80	2.59	6.14	-	-	-	4.82	-	-	3.68	4.92	4.79	5.97	6.00	8.10	7.94	11.55
2.29	90	2.92	6.91	-	-	-	5.45	-	-	4.17	5.55	5.41	6.76	6.76	9.12	8.96	12.99
2.54	100	3.24	7.68	2.89	0.82	2.33	6.04	2.10	2.26	4.63	6.17	6.04	7.51	7.51	10.17	9.97	14.47
3.05	120	3.89	9.21	3.48	1.41	2.82	7.28	2.56	2.72	5.61	7.45	7.25	9.06	9.06	12.24	12.01	17.39
3.81	150	4.86	11.52	4.33	2.26	3.61	9.15	3.22	3.45	7.05	9.35	9.12	11.35	11.39	15.32	15.03	21.79
5.08	200	6.48	15.36	5.77	3.71	4.89	12.27	4.30	4.63	9.45	12.53	12.21	15.16	15.22	20.47	20.11	29.10
6.35	250	8.10	19.20	7.22	5.15	6.17	-	5.41	5.77	11.88	15.68	15.29	19.00	19.06	25.66	25.16	36.42
7.62	300	9.72	23.04	8.66	6.59	7.45	-	6.50	6.96	14.27	18.87	18.41	22.80	22.90	30.81	30.25	43.73
8.89	350	11.34	26.87	10.11	8.04	8.73	-	7.61	8.14	16.70	22.05	21.49	26.64	26.77	35.96	35.30	51.05
10.16	400	12.96	30.71	-	-	-	-	8.69	9.32	19.09	25.23	24.57	30.48	30.61	41.11	40.39	58.37
12.70	500	16.19	38.39	-	-	-	-	-	-	23.92	31.56	30.77	38.12	38.32	51.44	50.53	73.00
15.24	600	19.44	46.07	-	-	-	-	-	-	28.74	37.93	36.94	45.77	46.00	61.75	60.66	87.60

Lens type			Zoom lens								Height from the edge of screen to center of lens (H)									
Projection lens Model No.			ET-DLE170		ET-DLE250		ET-DLE350		ET-DLE450		66%-18%		60%-18%		50%-18%		55%-22%		0%	
Throw ratio			1.71-2.40:1		2.26-3.60:1		3.56-5.42:1		5.34-8.54:1		ET-DLE150 ET-DLE170 ET-DLE250 ET-DLE350 ET-DLE450		ET-DLE085 ET-DLE105		ET-DLE060		ET-DLE020G/ ET-DLE020		ET-DLE055	
Diagonal (SD)	Height (SH)	Width (SW)	Min. (LW)	Max. (LT)	Min. (LW)	Max. (LT)	Min. (LW)	Max. (LT)	Min. (LW)	Max. (LT)	Min. (LW)	Max. (LT)	Min. (LW)	Max. (LT)	Min. (LW)	Max. (LT)	Min. (LW)	Max. (LT)	Min. (LW)	Max. (LT)
1.27	50	1.62	3.84	6.46	9.12	8.60	13.71	13.52	20.67	20.14	32.42	-0.62-1.21	-0.49-1.21	-0.26-1.21	-	-	-	-	0.82	
1.52	60	1.94	4.61	7.81	11.02	10.37	16.54	16.31	24.87	24.38	39.11	-0.76-1.44	-0.59-1.44	-0.33-1.44	-	-	-	-	0.98	
1.78	70	2.27	5.37	9.15	12.89	12.14	19.32	19.09	29.10	28.61	45.80	-0.85-1.67	-0.69-1.67	-0.39-1.67	-	-	-	-	1.15	
2.03	80	2.59	6.14	10.50	14.76	13.91	22.11	21.88	33.30	32.84	52.49	-0.98-1.90	-0.79-1.90	-0.43-1.90	-	-	-	-	1.28	
2.29	90	2.92	6.91	11.84	16.63	15.68	24.90	24.67	37.53	37.04	59.15	-1.12-2.17	-0.89-2.17	-0.49-2.17	-	-	-	-	1.44	
2.54	100	3.24	7.68	13.19	18.50	17.45	27.72	27.49	41.73	41.27	65.85	-1.25-2.40	-0.98-2.40	-0.53-2.40	-0.76-2.56	-	-	-	1.61	
3.05	120	3.89	9.21	15.88	22.24	21.00	33.30	33.07	50.20	49.74	79.20	-1.48-2.89	-1.18-2.89	-0.66-2.89	-0.92-3.08	-	-	-	1.94	
3.81	150	4.86	11.52	19.88	27.89	26.31	41.70	41.44	62.83	62.40	99.25	-1.84-3.61	-1.44-3.61	-0.82-3.61	-1.15-3.84	-	-	-	2.43	
5.08	200	6.48	15.36	26.61	37.27	35.17	55.68	55.41	83.92	83.56	132.68	-2.46-4.79	-1.94-4.79	-1.08-4.79	-1.51-5.15	-	-	-	3.25	
6.35	250	8.10	19.20	33.33	46.62	44.03	69.69	69.36	105.02	104.69	166.08	-3.08-6.00	-2.43-6.00	-1.35-6.00	-1.90-6.43	-	-	-	-	
7.62	300	9.72	23.04	40.03	56.00	52.89	83.66	83.33	126.12	125.82	199.48	-3.71-7.19	-2.92-7.19	-1.61-7.19	-2.26-7.71	-	-	-	-	
8.89	350	11.34	26.87	46.75	65.39	61.75	97.64	97.28	147.21	146.95	232.91	-4.30-8.40	-3.41-8.40	-1.90-8.40	-2.66-8.99	-	-	-	-	
10.16	400	12.96	30.71	53.45	74.74	70.57	111.65	111.25	168.31	168.08	266.31	-4.92-9.58	-3.87-9.58	-2.17-9.58	-3.02-10.27	-	-	-	-	
12.70	500	16.19	38.39	66.90	93.50	88.29	139.60	139.17	210.50	210.37	333.14	-6.17-11.98	-4.86-11.98	-2.69-11.98	-	-	-	-	-	
15.24	600	19.44	46.07	80.32	112.24	106.00	167.59	167.09	252.69	252.63	399.97	-7.38-14.37	-5.84-14.37	-3.25-14.37	-	-	-	-	-	

Calculation of the projection distance

To use a projected image size not listed in this manual, check the projected image size SD (m) and use the respective formula to calculate the value.

The unit of all the formulae is m. (Values obtained by the following calculation formulae contain a slight error.)
When calculating the value using image size designation (value in inches), multiply the value in inches by 0.0254 and substitute it into SD in the formula.

Zoom lens

Unit: m

Projection lens Model No.	Throw ratio	Aspect ratio	Projection distance (L) formula	
			Min. (LW)	Max. (LT)
ET-DLE020G/ ET-DLE020	0.279-0.297:1	16:9	$=0.2493 \times SD - 0.027$	$=0.2670 \times SD - 0.028$
	0.310-0.331:1	16:10	$=0.2695 \times SD - 0.027$	$=0.2887 \times SD - 0.028$
	0.373-0.399:1	4:3	$=0.3051 \times SD - 0.027$	$=0.3268 \times SD - 0.028$
	0.279-0.298:1	21:9	$=0.2635 \times SD - 0.027$	$=0.2823 \times SD - 0.028$
ET-DLE060	0.597-0.797:1	16:9	$=0.5474 \times SD - 0.055$	$=0.7205 \times SD - 0.052$
	0.666-0.888:1	16:10	$=0.5918 \times SD - 0.055$	$=0.7789 \times SD - 0.052$
	0.804-1.07:1	4:3	$=0.6700 \times SD - 0.055$	$=0.8818 \times SD - 0.052$
	0.599-0.799:1	21:9	$=0.5787 \times SD - 0.055$	$=0.7617 \times SD - 0.052$
ET-DLE085	0.779-0.972:1	16:9	$=0.7019 \times SD - 0.047$	$=0.8689 \times SD - 0.044$
	0.867-1.08:1	16:10	$=0.7588 \times SD - 0.047$	$=0.9393 \times SD - 0.044$
	1.04-1.30:1	4:3	$=0.8590 \times SD - 0.047$	$=1.0634 \times SD - 0.044$
	0.780-0.973:1	21:9	$=0.7420 \times SD - 0.047$	$=0.9185 \times SD - 0.044$
ET-DLE105	0.973-1.32:1	16:9	$=0.8735 \times SD - 0.051$	$=1.1713 \times SD - 0.047$
	1.08-1.47:1	16:10	$=0.9443 \times SD - 0.051$	$=1.2663 \times SD - 0.047$
	1.30-1.76:1	4:3	$=1.0690 \times SD - 0.051$	$=1.4335 \times SD - 0.047$
	0.975-1.32:1	21:9	$=0.9234 \times SD - 0.051$	$=1.2382 \times SD - 0.047$
ET-DLE150	1.29-1.88:1	16:9	$=1.1512 \times SD - 0.054$	$=1.6607 \times SD - 0.050$
	1.44-2.09:1	16:10	$=1.2445 \times SD - 0.054$	$=1.7953 \times SD - 0.050$
	1.73-2.51:1	4:3	$=1.4088 \times SD - 0.054$	$=2.0324 \times SD - 0.050$
	1.29-1.88:1	21:9	$=1.2169 \times SD - 0.054$	$=1.7555 \times SD - 0.050$
ET-DLE170	1.71-2.40:1	16:9	$=1.5240 \times SD - 0.075$	$=2.1280 \times SD - 0.072$
	1.90-2.67:1	16:10	$=1.6475 \times SD - 0.075$	$=2.3005 \times SD - 0.072$
	2.29-3.21:1	4:3	$=1.8651 \times SD - 0.075$	$=2.6044 \times SD - 0.072$
	1.71-2.40:1	21:9	$=1.6110 \times SD - 0.075$	$=2.2496 \times SD - 0.072$
ET-DLE250	2.26-3.60:1	16:9	$=2.0106 \times SD - 0.080$	$=3.1755 \times SD - 0.079$
	2.52-4.00:1	16:10	$=2.1735 \times SD - 0.080$	$=3.4328 \times SD - 0.079$
	3.03-4.81:1	4:3	$=2.4606 \times SD - 0.080$	$=3.8862 \times SD - 0.079$
	2.26-3.60:1	21:9	$=2.1254 \times SD - 0.080$	$=3.3569 \times SD - 0.079$
ET-DLE350	3.56-5.42:1	16:9	$=3.1694 \times SD - 0.135$	$=4.7892 \times SD - 0.135$
	3.96-6.03:1	16:10	$=3.4263 \times SD - 0.135$	$=5.1774 \times SD - 0.135$
	4.77-7.24:1	4:3	$=3.8789 \times SD - 0.135$	$=5.8612 \times SD - 0.135$
	3.56-5.42:1	21:9	$=3.3505 \times SD - 0.135$	$=5.0628 \times SD - 0.135$
ET-DLE450	5.33-8.53:1	16:9	$=4.7982 \times SD - 0.302$	$=7.5854 \times SD - 0.299$
	5.94-9.50:1	16:10	$=5.1871 \times SD - 0.302$	$=8.2003 \times SD - 0.299$
	7.15-11.4:1	4:3	$=5.8722 \times SD - 0.302$	$=9.2833 \times SD - 0.299$
	5.34-8.54:1	21:9	$=5.0723 \times SD - 0.302$	$=8.0188 \times SD - 0.299$

Fixed-Focus Lens

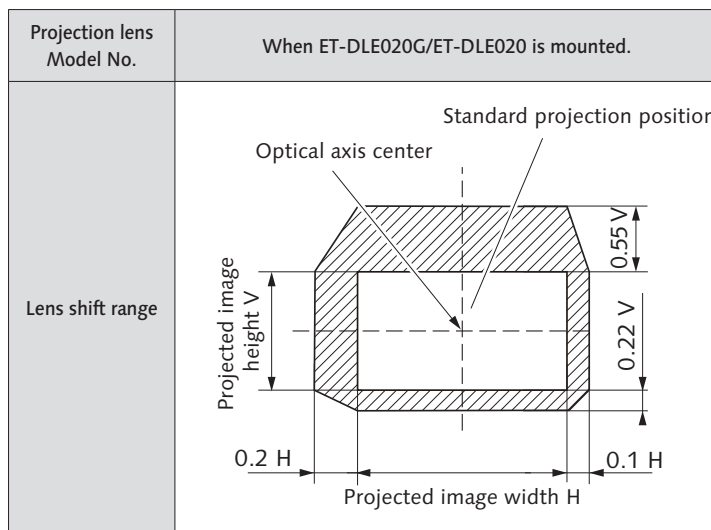
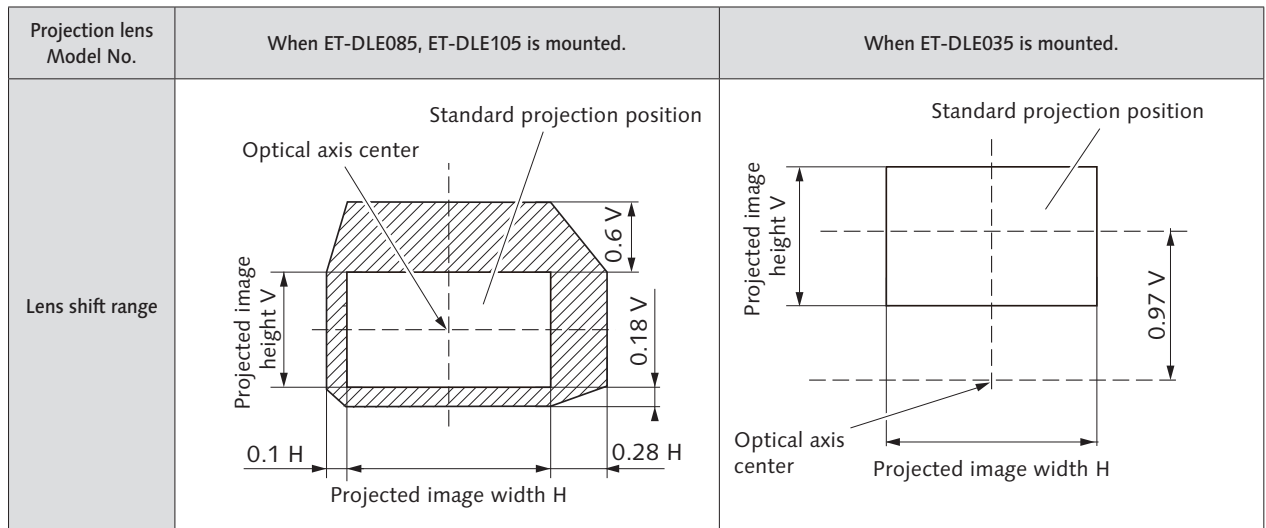
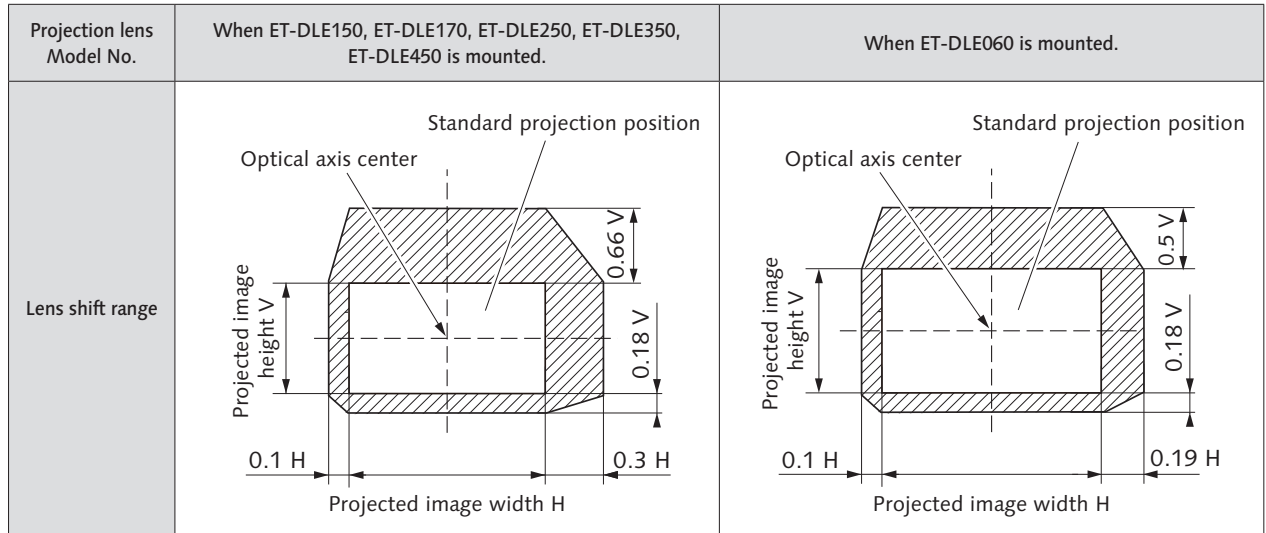
Unit: m

Projection lens Model No.	Throw ratio	Aspect ratio	Projection distance (L) formula	
ET-DLE055	0.782:1	16:9	$=0.7047 \times SD - 0.048$	
	0.871:1	16:10	$=0.7618 \times SD - 0.048$	
	1.05:1	4:3	$=0.8624 \times SD - 0.048$	
	0.783:1	21:9	$=0.7449 \times SD - 0.048$	
ET-DLE035	0.378:1	16:9	$L1=0.3278 \times SD + 0.004$	$A1=0.2295 \times SD - 0.073$
	0.420:1	16:10	$L1=0.3543 \times SD + 0.004$	$A1=0.2480 \times SD - 0.073$
	0.503:1	4:3	$L1=0.4011 \times SD + 0.004$	$A1=0.2807 \times SD - 0.073$
	0.378:1	21:9	$L1=0.3465 \times SD + 0.004$	$A1=0.3075 \times SD - 0.073$

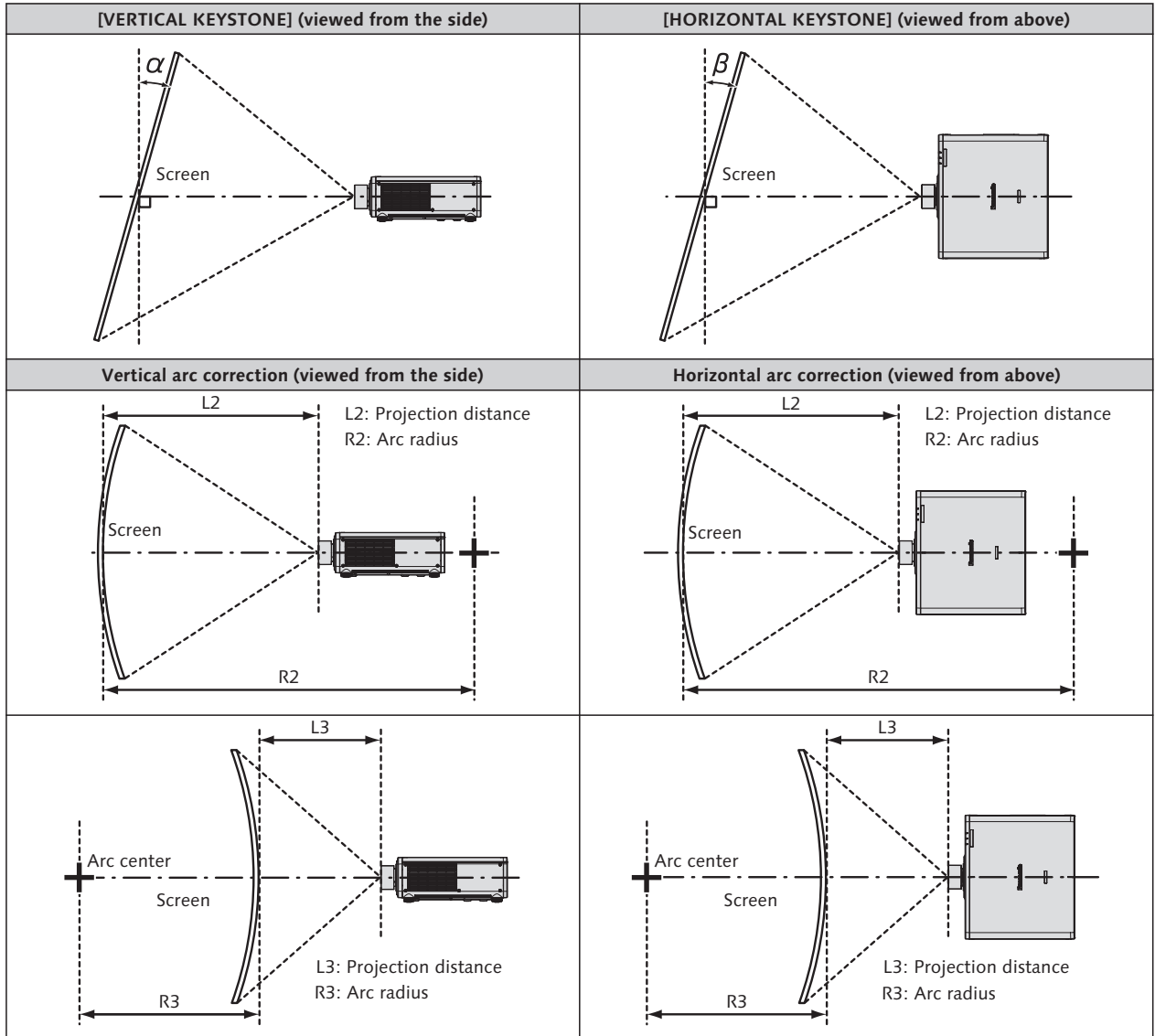
Adjustment range by the lens position shift (optical shift)

Based on the standard projection position using the optical axis shift function, the projection position can be adjusted in the range shown in the following figure.

Following figure shows the adjustment range when the projector is installed on the floor.



[GEOMETRY] projection range



Projection lens Model No.	Only [KEYSTONE] used ¹		[KEYSTONE] and [CURVED CORRECTION] used together				Only [CURVED CORRECTION] used	
	Vertical keystone correction angle α (°)	Horizontal keystone correction angle β (°)	Vertical keystone correction angle α (°)	Horizontal keystone correction angle β (°)	Min. value of R2/L2	Min. value of R3/L3	Min. value of R2/L2	Min. value of R3/L3
ET-DLE170	± 40	± 40	± 20	± 15	0.7	1.3	0.4	0.7
ET-DLE020G/ ET-DLE020	± 5	0	-	-	-	-	-	-
ET-DLE035 ²	+ 5 / - 0	0	-	-	-	-	-	-
ET-DLE055	± 22	± 15	± 8	± 8	1.3	3.3	0.8	1.9
ET-DLE060	± 16	± 10	-	-	-	-	-	-
ET-DLE085	± 22	± 15	± 8	± 8	1.3	3.3	0.8	1.9
ET-DLE105	± 22	± 15	± 8	± 8	1.3	3.3	0.8	1.9
ET-DLE150	± 40	± 40	± 20	± 15	0.9	2	0.5	1.1
ET-DLE250	± 40	± 40	± 20	± 15	0.5	1	0.3	0.6
ET-DLE350	± 45	± 40	± 20	± 15	0.3	0.6	0.2	0.4
ET-DLE450	± 45	± 40	± 20	± 15	0.2	0.4	0.2	0.3

1 When [VERTICAL KEYSTONE] and [HORIZONTAL KEYSTONE] are used simultaneously, correction cannot be made exceeding total of 55°.
 2 Only the vertical keystone correction angle can be corrected in the direction in which the projector body moves away from the screen.

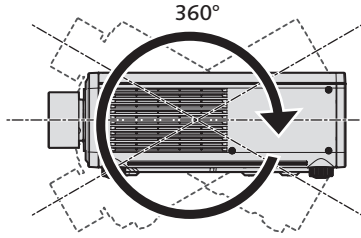
Note

- When [GEOMETRY] is used, the focus of the entire screen may be lost as correction increases.
- Make the curved screen a circular arc shape with one part of a perfect circle removed.
- Adjustment range of the [GEOMETRY] items may not match the listed projection range depending on the projection lens. Use this projector within the projection range, otherwise the correction may not work.

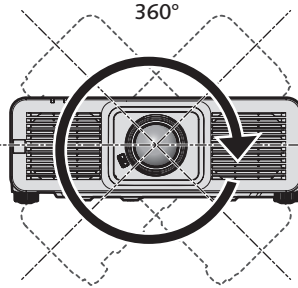
Installable angle

Install the projector at an angle within the range shown below.

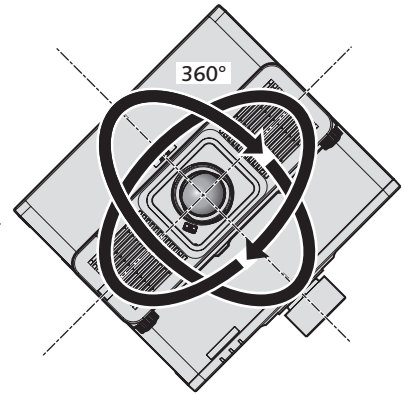
FULL 360-degree projection



Vertical 360-deg.



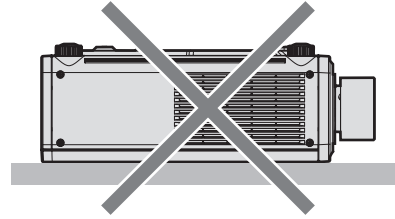
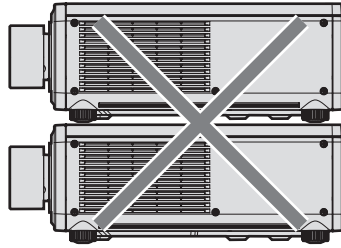
Horizontal 360-deg.



Tilting 360-deg.
(Vertical and Horizontal combination)

Notes on projector placement and operation

- Do not stack projectors on top of each other.
- Do not use the projector supporting it by the top.

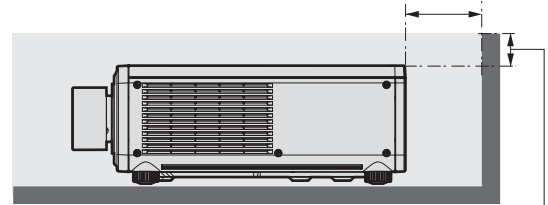
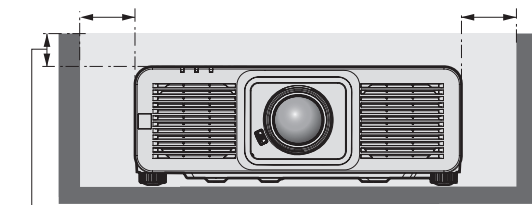


- Do not block the intake/exhaust vents of the projector.
- Prevent hot and cool air from the air conditioning system to blow directly to the intake/exhaust vents of the projector.

300 mm [11 13/16 in] or longer

300 mm [11 13/16 in] or longer

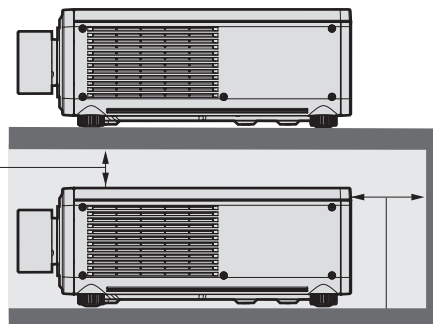
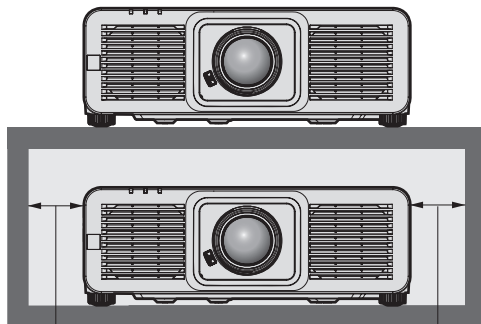
400 mm [15 3/4 in] or longer



100 mm [3 15/16 in] or less

100 mm [3 15/16 in] or less

- Do not install the projector in a confined space.
When installing the projector in a confined space, provide air conditioning or ventilation separately. Exhaust heat may accumulate when the ventilation is not enough, triggering the protection circuit of the projector.



300 mm [11 13/16 in] or longer

300 mm [11 13/16 in] or longer

100 mm [3 15/16 in] or longer

400 mm [15 3/4 in] or longer

- When installing and fixing the projector on a ceiling or wall using a mount, make sure that the fixing screw or power cord does not come in contact with the metal section inside the ceiling or wall. Failure to observe this may result in electric shocks.
- Panasonic Connect Co., Ltd. takes no responsibility for any damage to the product caused by an inappropriate choice of location for installing the projector, even if the warranty period of the product has not expired.
- Immediately remove the product that is not in use anymore by asking a qualified technician.

List of compatible signals

The following table specifies the video signals compatible with the projector.

For details of SDI signal, refer to "List of single link SDI compatible signals". "List of quad link SDI compatible signals".

This projector supports the signal with ✓ in the compatible signal column.

- The content of the compatible signal column is as follows.

-V: Video signal -C: Computer signal

Signal Type	Signal name (SIGNAL FORMAT)	Resolution (Dots)	Scanning freq.		Dot clock freq. (MHz)	Compatible signal	
			Horizontal (kHz)	Vertical (Hz)		HDMI™	DIGITAL LINK
V	480/60p	720 x 480	31.5	59.9	27.0	✓	✓
	576/50p	720 x 576	31.3	50.0	27.0	✓	✓
	720/60p	1280 x 720	45.0	60.0 ¹	74.3	✓	✓
	720/50p	1280 x 720	37.5	50.0	74.3	✓	✓
	720/120p	1280 x 720	90.0	120.0 ¹	148.5	✓	✓
	1080/60i	1920 x 1080i	33.8	60.0 ¹	74.3	✓	✓
	1080/50i	1920 x 1080i	28.1	50.0	74.3	✓	✓
	1080/24p	1920 x 1080	27.0	24.0 ¹	74.3	✓	✓
	1080/24sF	1920 x 1080i	27.0	48.0 ¹	74.3	✓	✓
	1080/25p	1920 x 1080	28.1	25.0	74.3	✓	✓
	1080/30p	1920 x 1080	33.8	30.0 ¹	74.3	✓	✓
	1080/60p	1920 x 1080	67.5	60.0 ¹	148.5	✓	✓
	1080/50p	1920 x 1080	56.3	50.0	148.5	✓	✓
	1080/120p	1920 x 1080	135.0	120.0 ¹	297.0	✓	✓
	1080/100p	1920 x 1080	112.5	100.0	297.0	✓	✓
	2K/24p	2048 x 1080	27.0	24.0 ¹	74.3	✓	✓
	2K/25p	2048 x 1080	28.1	25.0	74.3	✓	✓
	2K/30p	2048 x 1080	33.8	30.0 ¹	74.3	✓	✓
	2K/48p	2048 x 1080	54.0	48.0 ¹	148.5	✓	✓
	2K/60p	2048 x 1080	67.5	60.0 ¹	148.5	✓	✓
	2K/50p	2048 x 1080	56.3	50.0	148.5	✓	✓
	2560 x 1080/60p	2560 x 1080	66.0	60.0 ¹	198.0	✓	✓
	2560 x 1080/50p	2560 x 1080	56.3	50.0	185.6	✓	✓
	3840 x 2160/24p	3840 x 2160	54.0	24.0 ¹	297.0	✓	✓
	3840 x 2160/25p	3840 x 2160	56.3	25.0	297.0	✓	✓
	3840 x 2160/30p	3840 x 2160	67.5	30.0 ¹	297.0	✓	✓
	3840 x 2160/60p	3840 x 2160	135.0	60.0 ¹	297.0	✓ ²	✓ ²
		3840 x 2160	135.0	60.0 ¹	594.0	✓	-
	3840 x 2160/50p	3840 x 2160	112.5	50.0	297.0	✓ ²	✓ ²
		3840 x 2160	112.5	50.0	594.0	✓	-
	4096 x 2160/24p	4096 x 2160	54.0	24.0 ¹	297.0	✓	✓
	4096 x 2160/25p	4096 x 2160	56.3	25.0	297.0	✓	✓
	4096 x 2160/30p	4096 x 2160	67.5	30.0 ¹	297.0	✓	✓
4096 x 2160/60p	4096 x 2160	135.0	60.0 ¹	297.0	✓ ²	✓ ²	
	4096 x 2160	135.0	60.0 ¹	594.0	✓	-	
4096 x 2160/50p	4096 x 2160	112.5	50.0	297.0	✓ ²	✓ ²	
	4096 x 2160	112.5	50.0	594.0	✓	-	
C	640 x 480/60	640 x 480	31.5	59.9	25.2	✓	✓
	1024 x 768/50	1024 x 768	39.6	50.0	51.9	✓	✓
	1024 x 768/60	1024 x 768	48.4	60.0	65.0	✓	✓
	1280 x 800/50	1280 x 800	41.3	50.0	68.0	✓	✓
	1280 x 800/60	1280 x 800	49.7	59.8	83.5	✓	✓
	1280 x 1024/50	1280 x 1024	52.4	50.0	88.0	✓	✓
	1280 x 1024/60	1280 x 1024	64.0	60.0	108.0	✓	✓
	1366 x 768/50	1366 x 768	39.6	49.9	69.0	✓	✓
	1366 x 768/60	1366 x 768	47.7	59.8	85.5	✓	✓
	1400 x 1050/50	1400 x 1050	54.1	50.0	99.9	✓	✓
	1400 x 1050/60	1400 x 1050	65.2	60.0	122.6	✓	✓
	1440 x 900/50	1440 x 900	46.3	49.9	86.8	✓	✓
	1440 x 900/60	1440 x 900	55.9	59.9	106.5	✓	✓
	1600 x 900/50	1600 x 900	46.4	49.9	96.5	✓	✓
	1600 x 900/60	1600 x 900	55.9	60.0	119.0	✓	✓
	1600 x 1200/50	1600 x 1200	61.8	49.9	131.5	✓	✓
	1600 x 1200/60	1600 x 1200	75.0	60.0	162.0	✓	✓
	1680 x 1050/50	1680 x 1050	54.1	50.0	119.5	✓	✓
	1680 x 1050/60	1680 x 1050	65.3	60.0	146.3	✓	✓
	1920 x 1080/240	1920 x 1080	291.6	240.0	583.2	✓	-
	1920 x 1200/50	1920 x 1200	61.8	49.9	158.3	✓	✓
	1920 x 1200/60RB	1920 x 1200 ³	74.0	60.0	154.0	✓	✓
	2560 x 1440/50	2560 x 1440	74.1	50.0	256.3	✓	✓
2560 x 1440/60	2560 x 1440 ³	88.8	60.0	241.5	✓	✓	

Signal Type	Signal name (SIGNAL FORMAT)	Resolution (Dots)	Scanning freq.		Dot clock freq. (MHz)	Compatible signal	
			Horizontal (kHz)	Vertical (Hz)		HDMI™	DIGITAL LINK
C	2560 x 1600/50	2560 x 1600	82.4	50.0	286.0	✓	✓
	2560 x 1600/60	2560 x 1600 ³	98.7	60.0	268.5	✓	✓
	3440 x 1440/50	3440 x 1440 ³	73.7	50.0	259.4	✓	–
	3440 x 1440/60	3440 x 1440 ³	88.9	60.0	312.8	✓	–
	3840 x 2400/30	3840 x 2400 ³	73.0	30.0	286.2	✓	✓
	3840 x 2400/50	3840 x 2400 ³	122.9	50.0	481.6	✓	–
	3840 x 2400/60	3840 x 2400 ³	148.1	60.0	592.5	✓	–

1 The signal with 1/1.001x vertical scanning frequency is also supported.

2 YP_BR 4:2:0 format only

3 VESA CVT-RB (Reduced Blanking)-compliant

Note

- A signal with a different resolution, including SDI signal, is displayed converted to the number of display dots. The number of display dots is as follows.
 - When the [QUAD PIXEL DRIVE] is set to [ON]: 3840 x 2160
 - When the [QUAD PIXEL DRIVE] is set to [OFF]: 1920 x 1080
- The "i" at the end of the resolution indicates an interlaced signal.
- When interlaced signals are connected, flickering may occur on the projected image.
- When the DIGITAL LINK connection is made with the long-reach communication method, the signal that the projector can receive is up to 1080/60p (1920 x 1080 dots, dot clock frequency 148.5 MHz).
- Even if it is the signal listed in the list of compatible signals, it may not be displayed by the projector if the video signal is recorded in a special format.

List of Plug and play compatible signals

The following table specifies the video signals compatible with plug and play.

Signal with ✓ in the plug and play compatible signal column is the signal described in the EDID (extended display identification data) of the projector. For the signal without ✓ in the plug and play compatible signal column, the resolution may not be selected on the computer even if the projector is supporting it.

Signal Type	Signal name (SIGNAL FORMAT)	Resolution (Dots)	Scanning freq.		Dot clock freq. (MHz)	Plug and play compatible signal					
			Horizontal (kHz)	Vertical (Hz)		HDMI™			DIGITAL LINK		
						4K/60p ¹	4K/30p	2K	4K/60p	4K/30p ²	2K
V	480/60p	720 x 480	31.5	59.9	27.0	✓	✓	✓	✓	✓	✓
	576/50p	720 x 576	31.3	50.0	27.0	✓	✓	✓	✓	✓	✓
	720/60p	1280 x 720	45.0	60.0 ³	74.3	✓	✓	✓	✓	✓	✓
	720/50p	1280 x 720	37.5	50.0	74.3	✓	✓	✓	✓	✓	✓
	720/120p	1280 x 720	90.0	120.0 ³	148.5	–	–	–	–	–	–
	1080/60i	1920 x 1080i	33.8	60.0 ³	74.3	✓	✓	✓	✓	✓	✓
	1080/50i	1920 x 1080i	28.1	50.0	74.3	✓	✓	✓	✓	✓	✓
	1080/24p	1920 x 1080	27.0	24.0 ³	74.3	✓	✓	✓	✓	✓	✓
	1080/24sF	1920 x 1080i	27.0	48.0 ³	74.3	–	–	–	–	–	–
	1080/25p	1920 x 1080	28.1	25.0	74.3	✓	✓	✓	✓	✓	✓
	1080/30p	1920 x 1080	33.8	30.0 ³	74.3	✓	✓	✓	✓	✓	✓
	1080/60p	1920 x 1080	67.5	60.0 ³	148.5	✓	✓	✓	✓	✓	✓
	1080/50p	1920 x 1080	56.3	50.0	148.5	✓	✓	✓	✓	✓	✓
	1080/120p	1920 x 1080	135.0	120.0 ³	297.0	✓	✓	–	✓	✓	–
	1080/100p	1920 x 1080	112.5	100.0	297.0	✓	✓	–	✓	✓	–
	2K/24p	2048 x 1080	27.0	24.0 ³	74.3	–	–	–	–	–	–
	2K/25p	2048 x 1080	28.1	25.0	74.3	–	–	–	–	–	–
	2K/30p	2048 x 1080	33.8	30.0 ³	74.3	–	–	–	–	–	–
	2K/48p	2048 x 1080	54.0	48.0 ³	148.5	–	–	–	–	–	–
	2K/60p	2048 x 1080	67.5	60.0 ³	148.5	–	–	–	–	–	–
	2K/50p	2048 x 1080	56.3	50.0	148.5	–	–	–	–	–	–
	2560 x 1080/60p	2560 x 1080	66.0	60.0 ³	198.0	✓	✓	–	✓	✓	–
	2560 x 1080/50p	2560 x 1080	56.3	50.0	185.6	✓	✓	–	✓	✓	–
	3840 x 2160/24p	3840 x 2160	54.0	24.0 ³	297.0	✓	✓	–	✓	✓	–
	3840 x 2160/25p	3840 x 2160	56.3	25.0	297.0	✓	✓	–	✓	✓	–
	3840 x 2160/30p	3840 x 2160	67.5	30.0 ³	297.0	✓	✓	–	✓	✓	–
	3840 x 2160/60p	3840 x 2160	135.0	60.0 ³	297.0	✓ ⁴	–	–	✓ ⁴	–	–
		3840 x 2160	135.0	60.0 ³	594.0	✓	–	–	–	–	–
	3840 x 2160/50p	3840 x 2160	112.5	50.0	297.0	✓ ⁴	–	–	✓ ⁴	–	–
		3840 x 2160	112.5	50.0	594.0	✓	–	–	–	–	–
	4096 x 2160/24p	4096 x 2160	54.0	24.0 ³	297.0	✓	✓	–	✓	✓	–
	4096 x 2160/25p	4096 x 2160	56.3	25.0	297.0	✓	✓	–	✓	✓	–
	4096 x 2160/30p	4096 x 2160	67.5	30.0 ³	297.0	✓	✓	–	✓	✓	–
4096 x 2160/60p	4096 x 2160	135.0	60.0 ³	297.0	✓ ⁴	–	–	✓ ⁴	–	–	
	4096 x 2160	135.0	60.0 ³	594.0	✓	–	–	–	–	–	
4096 x 2160/50p	4096 x 2160	112.5	50.0	297.0	✓ ⁴	–	–	✓ ⁴	–	–	
	4096 x 2160	112.5	50.0	594.0	✓	–	–	–	–	–	
C	640 x 480/60	640 x 480	31.5	59.9	25.2	✓	✓	✓	✓	✓	✓
	1024 x 768/50	1024 x 768	39.6	50.0	51.9	–	–	–	–	–	–
	1024 x 768/60	1024 x 768	48.4	60.0	65.0	✓	✓	✓	✓	✓	✓
	1280 x 800/50	1280 x 800	41.3	50.0	68.0	–	–	–	–	–	–
	1280 x 800/60	1280 x 800	49.7	59.8	83.5	–	–	–	–	–	–
	1280 x 1024/50	1280 x 1024	52.4	50.0	88.0	–	–	–	–	–	–
	1280 x 1024/60	1280 x 1024	64.0	60.0	108.0	–	–	–	–	–	–
	1366 x 768/50	1366 x 768	39.6	49.9	69.0	–	–	–	–	–	–
	1366 x 768/60	1366 x 768	47.7	59.8	85.5	–	–	–	–	–	–
	1400 x 1050/50	1400 x 1050	54.1	50.0	99.9	–	–	–	–	–	–
	1400 x 1050/60	1400 x 1050	65.2	60.0	122.6	✓	✓	✓	✓	✓	✓
	1440 x 900/50	1440 x 900	46.3	49.9	86.8	–	–	–	–	–	–
	1440 x 900/60	1440 x 900	55.9	59.9	106.5	–	–	–	–	–	–
	1600 x 900/50	1600 x 900	46.4	49.9	96.5	–	–	–	–	–	–
	1600 x 900/60	1600 x 900	55.9	60.0	119.0	✓	✓	✓	✓	✓	✓
	1600 x 1200/50	1600 x 1200	61.8	49.9	131.5	–	–	–	–	–	–
	1600 x 1200/60	1600 x 1200	75.0	60.0	162.0	✓	✓	✓	✓	✓	✓
	1680 x 1050/50	1680 x 1050	54.1	50.0	119.5	–	–	–	–	–	–
	1680 x 1050/60	1680 x 1050	65.3	60.0	146.3	–	–	–	–	–	–
	1920 x 1080/240	1920 x 1080	291.6	240.0	583.2	✓	–	–	–	–	–
	1920 x 1200/50	1920 x 1200	61.8	49.9	158.3	–	–	–	–	–	–
	1920 x 1200/60RB	1920 x 1200 ⁵	74.0	60.0	154.0	✓	✓	✓	✓	✓	✓
	2560 x 1440/50	2560 x 1440	74.1	50.0	256.3	–	–	–	–	–	–
2560 x 1440/60	2560 x 1440 ⁵	88.8	60.0	241.5	–	✓	–	✓	✓	–	

Signal Type	Signal name (SIGNAL FORMAT)	Resolution (Dots)	Scanning freq.		Dot clock freq. (MHz)	Plug and play compatible signal					
			Horizontal (kHz)	Vertical (Hz)		HDMI™			DIGITAL LINK		
						4K/60p ¹	4K/30p	2K	4K/60p	4K/30p ²	2K
C	2560 x 1600/50	2560 x 1600	82.4	50.0	286.0	–	–	–	–	–	–
	2560 x 1600/60	2560 x 1600 ⁵	98.7	60.0	268.5	✓	✓	–	✓	✓	–
	3440 x 1440/50	3440 x 1440 ⁵	73.7	50.0	259.4	–	–	–	–	–	–
	3440 x 1440/60	3440 x 1440 ⁵	88.9	60.0	312.8	–	–	–	–	–	–
	3840 x 2400/30	3840 x 2400 ⁵	73.0	30.0	286.2	–	✓	–	–	–	–
	3840 x 2400/50	3840 x 2400 ⁵	122.9	50.0	481.6	–	–	–	–	–	–
	3840 x 2400/60	3840 x 2400 ⁵	148.1	60.0	592.5	✓	–	–	–	–	–

1 4K/60p indicates 4K/60p/SDR and 4K/60p/HDR.

2 4K/30p indicates 4K/30p/SDR and 4K/30p/HDR.

3 The signal with 1/1.001x vertical scanning frequency is also supported.

4 YPbPr 4:2:0 format only

5 VESA CVT-RB (Reduced Blanking)-compliant

Note

- A signal with a different resolution, including SDI signal, is displayed converted to the number of display dots. The number of display dots is as follows.
 - When the [QUAD PIXEL DRIVE] is set to [ON]: 3840 x 2160
 - When the [QUAD PIXEL DRIVE] is set to [OFF]: 1920 x 1080
- The "i" at the end of the resolution indicates an interlaced signal.
- When interlaced signals are connected, flickering may occur on the projected image.
- When the DIGITAL LINK connection is made with the long-reach communication method, the signal that the projector can receive is up to 1080/60p (1920 x 1080 dots, dot clock frequency 148.5 MHz).
- Even if it is the signal listed in the list of compatible signals, it may not be displayed by the projector if the video signal is recorded in a special format.

List of Single link SDI compatible signals

The following table specifies the single link SDI signals that the projector can project. This is supported when the optional 12G-SDI Terminal Board (Model No.: TY-SB01QS) or the optional Function Board for 12G-SDI Optical (Model No.: TY-SB01FB) is installed in the slot.

- The content of the 4K division column is as follows.
 - IL: Interleave (transmission format of 2-Sample Interleave Division)
- The content of the signal type column is as follows.
 - V: Video signal

Signal Type	Signal name (SIGNAL FORMAT)	Resolution (Dots)	Scanning freq.		Dot clock freq. (MHz)	4K division	Format	Color format	Sampling
			Horizontal (kHz)	Vertical (Hz)					
V	720/60p ¹	1280 x 720	45.0	60.0 ²	74.3	–	HD-SDI	YPbPr	4:2:2 10bit
	720/50p ¹	1280 x 720	37.5	50.0	74.3	–	HD-SDI	YPbPr	4:2:2 10bit
	1080/60i	1920 x 1080i	33.8	60.0 ²	74.3	–	HD-SDI	YPbPr	4:2:2 10bit
		1920 x 1080i	33.8	60.0 ²	74.3	–	3G-SDI Level-A	RGB	4:4:4 10bit
		1920 x 1080i	33.8	60.0 ²	74.3	–	3G-SDI Level-A	RGB	4:4:4 12bit
		1920 x 1080i	33.8	60.0 ²	74.3	–	3G-SDI Level-B	RGB	4:4:4 10bit
		1920 x 1080i	33.8	60.0 ²	74.3	–	3G-SDI Level-B	RGB	4:4:4 12bit
	1080/50i	1920 x 1080i	28.1	50.0	74.3	–	HD-SDI	YPbPr	4:2:2 10bit
		1920 x 1080i	28.1	50.0	74.3	–	3G-SDI Level-A	RGB	4:4:4 10bit
		1920 x 1080i	28.1	50.0	74.3	–	3G-SDI Level-B	RGB	4:4:4 10bit
		1920 x 1080i	28.1	50.0	74.3	–	3G-SDI Level-A	RGB	4:4:4 12bit
		1920 x 1080i	28.1	50.0	74.3	–	3G-SDI Level-B	RGB	4:4:4 12bit
	1080/24p	1920 x 1080	27.0	24.0 ²	74.3	–	HD-SDI	YPbPr	4:2:2 10bit
		1920 x 1080	27.0	24.0 ²	74.3	–	3G-SDI Level-A	RGB	4:4:4 10bit
		1920 x 1080	27.0	24.0 ²	74.3	–	3G-SDI Level-B	RGB	4:4:4 10bit
		1920 x 1080	27.0	24.0 ²	74.3	–	3G-SDI Level-A	RGB	4:4:4 12bit
		1920 x 1080	27.0	24.0 ²	74.3	–	3G-SDI Level-B	RGB	4:4:4 12bit
	1080/24sF ¹	1920 x 1080i	27.0	48.0 ²	74.3	–	HD-SDI	YPbPr	4:2:2 10bit
		1920 x 1080i	27.0	48.0 ²	74.3	–	3G-SDI Level-A	RGB	4:4:4 10bit
		1920 x 1080i	27.0	48.0 ²	74.3	–	3G-SDI Level-B	RGB	4:4:4 10bit
		1920 x 1080i	27.0	48.0 ²	74.3	–	3G-SDI Level-A	RGB	4:4:4 12bit
		1920 x 1080i	27.0	48.0 ²	74.3	–	3G-SDI Level-B	RGB	4:4:4 12bit
	1080/25p	1920 x 1080	28.1	25.0	74.3	–	HD-SDI	YPbPr	4:2:2 10bit
		1920 x 1080	28.1	25.0	74.3	–	3G-SDI Level-A	RGB	4:4:4 10bit
		1920 x 1080	28.1	25.0	74.3	–	3G-SDI Level-B	RGB	4:4:4 10bit
		1920 x 1080	28.1	25.0	74.3	–	3G-SDI Level-A	RGB	4:4:4 12bit
		1920 x 1080	28.1	25.0	74.3	–	3G-SDI Level-B	RGB	4:4:4 12bit
	1080/30p	1920 x 1080	33.8	30.0 ²	74.3	–	HD-SDI	YPbPr	4:2:2 10bit
		1920 x 1080	33.8	30.0 ²	74.3	–	3G-SDI Level-A	RGB	4:4:4 10bit
		1920 x 1080	33.8	30.0 ²	74.3	–	3G-SDI Level-B	RGB	4:4:4 10bit
		1920 x 1080	33.8	30.0 ²	74.3	–	3G-SDI Level-A	RGB	4:4:4 12bit
		1920 x 1080	33.8	30.0 ²	74.3	–	3G-SDI Level-B	RGB	4:4:4 12bit
	1080/60p	1920 x 1080	67.5	60.0 ²	148.5	–	3G-SDI Level-A	YPbPr	4:2:2 10bit
		1920 x 1080	67.5	60.0 ²	148.5	–	3G-SDI Level-B	YPbPr	4:2:2 10bit
	1080/50p	1920 x 1080	56.3	50.0	148.5	–	3G-SDI Level-A	YPbPr	4:2:2 10bit
		1920 x 1080	56.3	50.0	148.5	–	3G-SDI Level-B	YPbPr	4:2:2 10bit
	2K/24p	2048 x 1080	27.0	24.0 ²	74.3	–	3G-SDI Level-A	RGB	4:4:4 10bit
		2048 x 1080	27.0	24.0 ²	74.3	–	3G-SDI Level-B	RGB	4:4:4 10bit
		2048 x 1080	27.0	24.0 ²	74.3	–	3G-SDI Level-A	RGB	4:4:4 12bit
		2048 x 1080	27.0	24.0 ²	74.3	–	3G-SDI Level-B	RGB	4:4:4 12bit
	2K/25p	2048 x 1080	28.1	25.0	74.3	–	3G-SDI Level-A	RGB	4:4:4 10bit
		2048 x 1080	28.1	25.0	74.3	–	3G-SDI Level-B	RGB	4:4:4 10bit
2048 x 1080		28.1	25.0	74.3	–	3G-SDI Level-A	RGB	4:4:4 12bit	
2048 x 1080		28.1	25.0	74.3	–	3G-SDI Level-B	RGB	4:4:4 12bit	
2K/30p	2048 x 1080	33.8	30.0 ²	74.3	–	3G-SDI Level-A	RGB	4:4:4 10bit	
	2048 x 1080	33.8	30.0 ²	74.3	–	3G-SDI Level-B	RGB	4:4:4 10bit	
	2048 x 1080	33.8	30.0 ²	74.3	–	3G-SDI Level-A	RGB	4:4:4 12bit	
	2048 x 1080	33.8	30.0 ²	74.3	–	3G-SDI Level-B	RGB	4:4:4 12bit	
2K/48p ¹	2048 x 1080	54.0	48.0 ²	148.5	–	3G-SDI Level-A	YPbPr	4:2:2 10bit	
	2048 x 1080	54.0	48.0 ²	148.5	–	3G-SDI Level-B	YPbPr	4:2:2 10bit	
2K/60p	2048 x 1080	67.5	60.0 ²	148.5	–	3G-SDI Level-A	YPbPr	4:2:2 10bit	
	2048 x 1080	67.5	60.0 ²	148.5	–	3G-SDI Level-B	YPbPr	4:2:2 10bit	
2K/50p	2048 x 1080	56.3	50.0	148.5	–	3G-SDI Level-A	YPbPr	4:2:2 10bit	
	2048 x 1080	56.3	50.0	148.5	–	3G-SDI Level-B	YPbPr	4:2:2 10bit	
3840 x 2160/24p	3840 x 2160	54.0	24.0 ²	297.0	IL	12G-SDI Type1	YPbPr	4:2:2 12bit	
	3840 x 2160	54.0	24.0 ²	297.0	IL	12G-SDI Type1	YPbPr	4:4:4 10bit	
	3840 x 2160	54.0	24.0 ²	297.0	IL	12G-SDI Type1	YPbPr	4:4:4 12bit	
	3840 x 2160	54.0	24.0 ²	297.0	IL	12G-SDI Type1	RGB	4:4:4 10bit	
	3840 x 2160	54.0	24.0 ²	297.0	IL	12G-SDI Type1	RGB	4:4:4 12bit	

Signal Type	Signal name (SIGNAL FORMAT)	Resolution (Dots)	Scanning freq.		Dot clock freq. (MHz)	4K division	Format	Color format	Sampling
			Horizontal (kHz)	Vertical (Hz)					
V	3840 x 2160/25p	3840 x 2160	56.3	25.0	297.0	IL	12G-SDI Type1	YPbPr	4:2:2 12bit
		3840 x 2160	56.3	25.0	297.0	IL	12G-SDI Type1	YPbPr	4:4:4 10bit
		3840 x 2160	56.3	25.0	297.0	IL	12G-SDI Type1	YPbPr	4:4:4 12bit
		3840 x 2160	56.3	25.0	297.0	IL	12G-SDI Type1	RGB	4:4:4 10bit
	3840 x 2160/30p	3840 x 2160	67.5	30.0 ²	297.0	IL	12G-SDI Type1	YPbPr	4:2:2 12bit
		3840 x 2160	67.5	30.0 ²	297.0	IL	12G-SDI Type1	YPbPr	4:4:4 10bit
		3840 x 2160	67.5	30.0 ²	297.0	IL	12G-SDI Type1	YPbPr	4:4:4 12bit
		3840 x 2160	67.5	30.0 ²	297.0	IL	12G-SDI Type1	RGB	4:4:4 10bit
	3840 x 2160/60p	3840 x 2160	135.0	60.0 ²	594.0	IL	12G-SDI Type1	YPbPr	4:2:2 10bit
	3840 x 2160/50p	3840 x 2160	112.5	50.0	594.0	IL	12G-SDI Type1	YPbPr	4:2:2 10bit
	4096 x 2160/24p	4096 x 2160	54.0	24.0 ²	297.0	IL	12G-SDI Type1	YPbPr	4:2:2 12bit
		4096 x 2160	54.0	24.0 ²	297.0	IL	12G-SDI Type1	YPbPr	4:4:4 10bit
		4096 x 2160	54.0	24.0 ²	297.0	IL	12G-SDI Type1	YPbPr	4:4:4 12bit
		4096 x 2160	54.0	24.0 ²	297.0	IL	12G-SDI Type1	RGB	4:4:4 10bit
		4096 x 2160	54.0	24.0 ²	297.0	IL	12G-SDI Type1	RGB	4:4:4 12bit
	4096 x 2160/25p	4096 x 2160	56.3	25.0	297.0	IL	12G-SDI Type1	YPbPr	4:2:2 12bit
		4096 x 2160	56.3	25.0	297.0	IL	12G-SDI Type1	YPbPr	4:4:4 10bit
		4096 x 2160	56.3	25.0	297.0	IL	12G-SDI Type1	YPbPr	4:4:4 12bit
		4096 x 2160	56.3	25.0	297.0	IL	12G-SDI Type1	RGB	4:4:4 10bit
	4096 x 2160/30p	4096 x 2160	67.5	30.0 ²	297.0	IL	12G-SDI Type1	YPbPr	4:2:2 12bit
		4096 x 2160	67.5	30.0 ²	297.0	IL	12G-SDI Type1	YPbPr	4:4:4 10bit
		4096 x 2160	67.5	30.0 ²	297.0	IL	12G-SDI Type1	YPbPr	4:4:4 12bit
		4096 x 2160	67.5	30.0 ²	297.0	IL	12G-SDI Type1	RGB	4:4:4 10bit
	4096 x 2160/60p	4096 x 2160	135.0	60.0 ²	594.0	IL	12G-SDI Type1	YPbPr	4:2:2 10bit
	4096 x 2160/50p	4096 x 2160	112.5	50.0	594.0	IL	12G-SDI Type1	YPbPr	4:2:2 10bit

1 Requires TY-SB01QS or TY-SB01FB Interface Board for 12G-SDI Input.

2 The signal with 1/1.001x vertical scanning frequency is also supported.

List of Quad link SDI compatible signals

The following table specifies the dual signal SDI signals that the projector can project.

Requires TY-SB01QS Interface Board for 12G-SDI Input.

- The content of the 4K division column is as follows.
 -SQ: Square (transmission format of Square Division) -IL: Interleave (transmission format of 2-Sample Interleave Division)
- The content of the signal type column is as follows.
 -V: Video signal

Signal Type	Signal name (SIGNAL FORMAT)	Resolution (Dots)	Scanning freq.		Dot clock freq. (MHz)	4K division	Format	Color format	Sampling
			Horizontal (kHz)	Vertical (Hz)					
V	3840 x 2160/24p	3840 x 2160	54.0	24.0 ¹	297.0	SQ	HD-SDI	YPbPr	4:2:2 10bit
		3840 x 2160	54.0	24.0 ¹	297.0	SQ	3G-SDI Level-A	YPbPr	4:2:2 12bit
		3840 x 2160	54.0	24.0 ¹	297.0	IL	3G-SDI Level-A	YPbPr	4:2:2 12bit
		3840 x 2160	54.0	24.0 ¹	297.0	SQ	3G-SDI Level-B	YPbPr	4:2:2 12bit
		3840 x 2160	54.0	24.0 ¹	297.0	IL	3G-SDI Level-B	YPbPr	4:2:2 12bit
		3840 x 2160	54.0	24.0 ¹	297.0	SQ	3G-SDI Level-A	YPbPr	4:4:4 10bit
		3840 x 2160	54.0	24.0 ¹	297.0	IL	3G-SDI Level-A	YPbPr	4:4:4 10bit
		3840 x 2160	54.0	24.0 ¹	297.0	SQ	3G-SDI Level-B	YPbPr	4:4:4 10bit
		3840 x 2160	54.0	24.0 ¹	297.0	IL	3G-SDI Level-B	YPbPr	4:4:4 10bit
		3840 x 2160	54.0	24.0 ¹	297.0	SQ	3G-SDI Level-A	YPbPr	4:4:4 12bit
		3840 x 2160	54.0	24.0 ¹	297.0	IL	3G-SDI Level-A	YPbPr	4:4:4 12bit
		3840 x 2160	54.0	24.0 ¹	297.0	SQ	3G-SDI Level-B	YPbPr	4:4:4 12bit
		3840 x 2160	54.0	24.0 ¹	297.0	IL	3G-SDI Level-B	YPbPr	4:4:4 12bit
		3840 x 2160	54.0	24.0 ¹	297.0	SQ	3G-SDI Level-A	RGB	4:4:4 10bit
		3840 x 2160	54.0	24.0 ¹	297.0	IL	3G-SDI Level-A	RGB	4:4:4 10bit
		3840 x 2160	54.0	24.0 ¹	297.0	SQ	3G-SDI Level-B	RGB	4:4:4 10bit
		3840 x 2160	54.0	24.0 ¹	297.0	IL	3G-SDI Level-B	RGB	4:4:4 10bit
		3840 x 2160	54.0	24.0 ¹	297.0	SQ	3G-SDI Level-A	RGB	4:4:4 12bit
	3840 x 2160	54.0	24.0 ¹	297.0	IL	3G-SDI Level-A	RGB	4:4:4 12bit	
	3840 x 2160	54.0	24.0 ¹	297.0	SQ	3G-SDI Level-B	RGB	4:4:4 12bit	
	3840 x 2160	54.0	24.0 ¹	297.0	IL	3G-SDI Level-B	RGB	4:4:4 12bit	
	3840 x 2160/25p	3840 x 2160	56.3	25.0	297.0	SQ	HD-SDI	YPbPr	4:2:2 10bit
	3840 x 2160	56.3	25.0	297.0	SQ	3G-SDI Level-A	YPbPr	4:2:2 12bit	
	3840 x 2160	56.3	25.0	297.0	IL	3G-SDI Level-A	YPbPr	4:2:2 12bit	
	3840 x 2160	56.3	25.0	297.0	SQ	3G-SDI Level-B	YPbPr	4:2:2 12bit	
	3840 x 2160	56.3	25.0	297.0	IL	3G-SDI Level-B	YPbPr	4:2:2 12bit	
	3840 x 2160	56.3	25.0	297.0	SQ	3G-SDI Level-A	YPbPr	4:4:4 10bit	
	3840 x 2160	56.3	25.0	297.0	IL	3G-SDI Level-A	YPbPr	4:4:4 10bit	
	3840 x 2160	56.3	25.0	297.0	SQ	3G-SDI Level-B	YPbPr	4:4:4 10bit	
	3840 x 2160	56.3	25.0	297.0	IL	3G-SDI Level-B	YPbPr	4:4:4 10bit	
	3840 x 2160	56.3	25.0	297.0	SQ	3G-SDI Level-A	YPbPr	4:4:4 12bit	
	3840 x 2160	56.3	25.0	297.0	IL	3G-SDI Level-A	YPbPr	4:4:4 12bit	
	3840 x 2160	56.3	25.0	297.0	SQ	3G-SDI Level-B	YPbPr	4:4:4 12bit	
	3840 x 2160	56.3	25.0	297.0	IL	3G-SDI Level-B	YPbPr	4:4:4 12bit	
	3840 x 2160	56.3	25.0	297.0	SQ	3G-SDI Level-A	RGB	4:4:4 10bit	
	3840 x 2160	56.3	25.0	297.0	IL	3G-SDI Level-A	RGB	4:4:4 10bit	
	3840 x 2160	56.3	25.0	297.0	SQ	3G-SDI Level-B	RGB	4:4:4 10bit	
	3840 x 2160	56.3	25.0	297.0	IL	3G-SDI Level-B	RGB	4:4:4 10bit	
	3840 x 2160	56.3	25.0	297.0	SQ	3G-SDI Level-A	RGB	4:4:4 12bit	
	3840 x 2160	56.3	25.0	297.0	IL	3G-SDI Level-A	RGB	4:4:4 12bit	
	3840 x 2160	56.3	25.0	297.0	SQ	3G-SDI Level-B	RGB	4:4:4 12bit	
	3840 x 2160	56.3	25.0	297.0	IL	3G-SDI Level-B	RGB	4:4:4 12bit	
	3840 x 2160/30p	3840 x 2160	67.5	30.0 ¹	297.0	SQ	HD-SDI	YPbPr	4:2:2 10bit
	3840 x 2160	67.5	30.0 ¹	297.0	SQ	3G-SDI Level-A	YPbPr	4:2:2 12bit	
	3840 x 2160	67.5	30.0 ¹	297.0	IL	3G-SDI Level-A	YPbPr	4:2:2 12bit	
3840 x 2160	67.5	30.0 ¹	297.0	SQ	3G-SDI Level-B	YPbPr	4:2:2 12bit		
3840 x 2160	67.5	30.0 ¹	297.0	IL	3G-SDI Level-B	YPbPr	4:2:2 12bit		
3840 x 2160	67.5	30.0 ¹	297.0	SQ	3G-SDI Level-A	YPbPr	4:4:4 10bit		
3840 x 2160	67.5	30.0 ¹	297.0	IL	3G-SDI Level-A	YPbPr	4:4:4 10bit		
3840 x 2160	67.5	30.0 ¹	297.0	SQ	3G-SDI Level-B	YPbPr	4:4:4 10bit		
3840 x 2160	67.5	30.0 ¹	297.0	IL	3G-SDI Level-B	YPbPr	4:4:4 10bit		
3840 x 2160	67.5	30.0 ¹	297.0	SQ	3G-SDI Level-A	YPbPr	4:4:4 12bit		
3840 x 2160	67.5	30.0 ¹	297.0	IL	3G-SDI Level-A	YPbPr	4:4:4 12bit		
3840 x 2160	67.5	30.0 ¹	297.0	SQ	3G-SDI Level-B	YPbPr	4:4:4 12bit		
3840 x 2160	67.5	30.0 ¹	297.0	IL	3G-SDI Level-B	YPbPr	4:4:4 12bit		
3840 x 2160	67.5	30.0 ¹	297.0	SQ	3G-SDI Level-A	RGB	4:4:4 10bit		
3840 x 2160	67.5	30.0 ¹	297.0	IL	3G-SDI Level-A	RGB	4:4:4 10bit		
3840 x 2160	67.5	30.0 ¹	297.0	SQ	3G-SDI Level-B	RGB	4:4:4 10bit		
3840 x 2160	67.5	30.0 ¹	297.0	IL	3G-SDI Level-B	RGB	4:4:4 10bit		
3840 x 2160	67.5	30.0 ¹	297.0	SQ	3G-SDI Level-A	RGB	4:4:4 12bit		

Signal Type	Signal name (SIGNAL FORMAT)	Resolution (Dots)	Scanning freq.		Dot clock freq. (MHz)	4K division	Format	Color format	Sampling	
			Horizontal (kHz)	Vertical (Hz)						
V	3840 x 2160/30p	3840 x 2160	67.5	30.0 ¹	297.0	IL	3G-SDI Level-A	RGB	4:4:4 12bit	
		3840 x 2160	67.5	30.0 ¹	297.0	SQ	3G-SDI Level-B	RGB	4:4:4 12bit	
		3840 x 2160	67.5	30.0 ¹	297.0	IL	3G-SDI Level-B	RGB	4:4:4 12bit	
	3840 x 2160/60p	3840 x 2160	135.0	60.0 ¹	594.0	SQ	3G-SDI Level-A	YPbPr	4:2:2 10bit	
		3840 x 2160	135.0	60.0 ¹	594.0	IL	3G-SDI Level-A	YPbPr	4:2:2 10bit	
		3840 x 2160	135.0	60.0 ¹	594.0	SQ	3G-SDI Level-B	YPbPr	4:2:2 10bit	
	3840 x 2160/50p	3840 x 2160	135.0	60.0 ¹	594.0	IL	3G-SDI Level-B	YPbPr	4:2:2 10bit	
		3840 x 2160	112.5	50.0	594.0	SQ	3G-SDI Level-A	YPbPr	4:2:2 10bit	
		3840 x 2160	112.5	50.0	594.0	IL	3G-SDI Level-A	YPbPr	4:2:2 10bit	
	3840 x 2160/50p	3840 x 2160	112.5	50.0	594.0	SQ	3G-SDI Level-B	YPbPr	4:2:2 10bit	
		3840 x 2160	112.5	50.0	594.0	IL	3G-SDI Level-B	YPbPr	4:2:2 10bit	
		3840 x 2160	112.5	50.0	594.0	IL	3G-SDI Level-B	YPbPr	4:2:2 10bit	
	4096 x 2160/24p	4096 x 2160	4096 x 2160	54.0	24.0 ¹	297.0	SQ	HD-SDI	YPbPr	4:2:2 10bit
			4096 x 2160	54.0	24.0 ¹	297.0	SQ	3G-SDI Level-A	YPbPr	4:2:2 12bit
			4096 x 2160	54.0	24.0 ¹	297.0	IL	3G-SDI Level-A	YPbPr	4:2:2 12bit
			4096 x 2160	54.0	24.0 ¹	297.0	SQ	3G-SDI Level-B	YPbPr	4:2:2 12bit
			4096 x 2160	54.0	24.0 ¹	297.0	IL	3G-SDI Level-B	YPbPr	4:2:2 12bit
			4096 x 2160	54.0	24.0 ¹	297.0	SQ	3G-SDI Level-A	YPbPr	4:4:4 10bit
			4096 x 2160	54.0	24.0 ¹	297.0	IL	3G-SDI Level-A	YPbPr	4:4:4 10bit
			4096 x 2160	54.0	24.0 ¹	297.0	SQ	3G-SDI Level-B	YPbPr	4:4:4 10bit
			4096 x 2160	54.0	24.0 ¹	297.0	IL	3G-SDI Level-B	YPbPr	4:4:4 10bit
			4096 x 2160	54.0	24.0 ¹	297.0	SQ	3G-SDI Level-A	YPbPr	4:4:4 12bit
			4096 x 2160	54.0	24.0 ¹	297.0	IL	3G-SDI Level-A	YPbPr	4:4:4 12bit
			4096 x 2160	54.0	24.0 ¹	297.0	SQ	3G-SDI Level-B	YPbPr	4:4:4 12bit
			4096 x 2160	54.0	24.0 ¹	297.0	IL	3G-SDI Level-B	YPbPr	4:4:4 12bit
			4096 x 2160	54.0	24.0 ¹	297.0	SQ	3G-SDI Level-A	RGB	4:4:4 10bit
			4096 x 2160	54.0	24.0 ¹	297.0	IL	3G-SDI Level-A	RGB	4:4:4 10bit
			4096 x 2160	54.0	24.0 ¹	297.0	SQ	3G-SDI Level-B	RGB	4:4:4 10bit
			4096 x 2160	54.0	24.0 ¹	297.0	IL	3G-SDI Level-B	RGB	4:4:4 10bit
			4096 x 2160	54.0	24.0 ¹	297.0	SQ	3G-SDI Level-A	RGB	4:4:4 12bit
			4096 x 2160	54.0	24.0 ¹	297.0	IL	3G-SDI Level-A	RGB	4:4:4 12bit
			4096 x 2160/25p	4096 x 2160	4096 x 2160	56.3	25.0	297.0	SQ	HD-SDI
	4096 x 2160	56.3			25.0	297.0	SQ	3G-SDI Level-A	YPbPr	4:2:2 12bit
	4096 x 2160	56.3			25.0	297.0	IL	3G-SDI Level-A	YPbPr	4:2:2 12bit
	4096 x 2160	56.3			25.0	297.0	SQ	3G-SDI Level-B	YPbPr	4:2:2 12bit
	4096 x 2160	56.3			25.0	297.0	IL	3G-SDI Level-B	YPbPr	4:2:2 12bit
	4096 x 2160	56.3			25.0	297.0	SQ	3G-SDI Level-A	YPbPr	4:4:4 10bit
	4096 x 2160	56.3			25.0	297.0	IL	3G-SDI Level-A	YPbPr	4:4:4 10bit
	4096 x 2160	56.3			25.0	297.0	SQ	3G-SDI Level-B	YPbPr	4:4:4 10bit
	4096 x 2160	56.3			25.0	297.0	IL	3G-SDI Level-B	YPbPr	4:4:4 10bit
	4096 x 2160	56.3			25.0	297.0	SQ	3G-SDI Level-A	YPbPr	4:4:4 12bit
	4096 x 2160	56.3			25.0	297.0	IL	3G-SDI Level-A	YPbPr	4:4:4 12bit
	4096 x 2160	56.3			25.0	297.0	SQ	3G-SDI Level-B	YPbPr	4:4:4 12bit
	4096 x 2160	56.3			25.0	297.0	IL	3G-SDI Level-B	YPbPr	4:4:4 12bit
	4096 x 2160	56.3			25.0	297.0	SQ	3G-SDI Level-A	RGB	4:4:4 10bit
	4096 x 2160	56.3			25.0	297.0	IL	3G-SDI Level-A	RGB	4:4:4 10bit
	4096 x 2160	56.3			25.0	297.0	SQ	3G-SDI Level-B	RGB	4:4:4 10bit
	4096 x 2160	56.3			25.0	297.0	IL	3G-SDI Level-B	RGB	4:4:4 10bit
	4096 x 2160	56.3			25.0	297.0	SQ	3G-SDI Level-A	RGB	4:4:4 12bit
	4096 x 2160	56.3			25.0	297.0	IL	3G-SDI Level-A	RGB	4:4:4 12bit
	4096 x 2160/30p	4096 x 2160			4096 x 2160	67.5	30.0 ¹	297.0	SQ	HD-SDI
			4096 x 2160	67.5	30.0 ¹	297.0	SQ	3G-SDI Level-A	YPbPr	4:2:2 12bit
			4096 x 2160	67.5	30.0 ¹	297.0	IL	3G-SDI Level-A	YPbPr	4:2:2 12bit
			4096 x 2160	67.5	30.0 ¹	297.0	SQ	3G-SDI Level-B	YPbPr	4:2:2 12bit
			4096 x 2160	67.5	30.0 ¹	297.0	IL	3G-SDI Level-B	YPbPr	4:2:2 12bit
			4096 x 2160	67.5	30.0 ¹	297.0	SQ	3G-SDI Level-A	YPbPr	4:4:4 10bit
			4096 x 2160	67.5	30.0 ¹	297.0	IL	3G-SDI Level-A	YPbPr	4:4:4 10bit
			4096 x 2160	67.5	30.0 ¹	297.0	SQ	3G-SDI Level-B	YPbPr	4:4:4 10bit
			4096 x 2160	67.5	30.0 ¹	297.0	IL	3G-SDI Level-B	YPbPr	4:4:4 10bit
			4096 x 2160	67.5	30.0 ¹	297.0	SQ	3G-SDI Level-A	YPbPr	4:4:4 12bit
4096 x 2160			67.5	30.0 ¹	297.0	IL	3G-SDI Level-A	YPbPr	4:4:4 12bit	
4096 x 2160			67.5	30.0 ¹	297.0	SQ	3G-SDI Level-B	YPbPr	4:4:4 12bit	
4096 x 2160			67.5	30.0 ¹	297.0	IL	3G-SDI Level-B	YPbPr	4:4:4 12bit	
4096 x 2160			67.5	30.0 ¹	297.0	SQ	3G-SDI Level-A	RGB	4:4:4 10bit	
4096 x 2160	67.5	30.0 ¹	297.0	IL	3G-SDI Level-A	RGB	4:4:4 10bit			

Signal Type	Signal name (SIGNAL FORMAT)	Resolution (Dots)	Scanning freq.		Dot clock freq. (MHz)	4K division	Format	Color format	Sampling
			Horizontal (kHz)	Vertical (Hz)					
V	4096 x 2160/30p	4096 x 2160	67.5	30.0 ¹	297.0	SQ	3G-SDI Level-B	RGB	4:4:4 10bit
		4096 x 2160	67.5	30.0 ¹	297.0	IL	3G-SDI Level-B	RGB	4:4:4 10bit
		4096 x 2160	67.5	30.0 ¹	297.0	SQ	3G-SDI Level-A	RGB	4:4:4 12bit
		4096 x 2160	67.5	30.0 ¹	297.0	IL	3G-SDI Level-A	RGB	4:4:4 12bit
		4096 x 2160	67.5	30.0 ¹	297.0	SQ	3G-SDI Level-B	RGB	4:4:4 12bit
	4096 x 2160/60p	4096 x 2160	135.0	60.0 ¹	594.0	SQ	3G-SDI Level-A	YP _B P _R	4:2:2 10bit
		4096 x 2160	135.0	60.0 ¹	594.0	IL	3G-SDI Level-A	YP _B P _R	4:2:2 10bit
		4096 x 2160	135.0	60.0 ¹	594.0	SQ	3G-SDI Level-B	YP _B P _R	4:2:2 10bit
		4096 x 2160	135.0	60.0 ¹	594.0	IL	3G-SDI Level-B	YP _B P _R	4:2:2 10bit
	4096 x 2160/50p	4096 x 2160	112.5	50.0	594.0	SQ	3G-SDI Level-A	YP _B P _R	4:2:2 10bit
		4096 x 2160	112.5	50.0	594.0	IL	3G-SDI Level-A	YP _B P _R	4:2:2 10bit
		4096 x 2160	112.5	50.0	594.0	SQ	3G-SDI Level-B	YP _B P _R	4:2:2 10bit
		4096 x 2160	112.5	50.0	594.0	IL	3G-SDI Level-B	YP _B P _R	4:2:2 10bit

1 The signal with 1/1.001x vertical scanning frequency is also supported.