

Ceiling mount bracket for high ceilings

Description This ceiling mount bracket is to be used when mounting home cinema projectors to the ceiling.

Specifications	Vertical correction angle	+5°, -20°
	Horizontal slant correction angle	±10°
	Horizontal turn correction angle	±5°
	Dimensions (W × H × D)	306 × 306-386 × 174 mm (12-1/16" × 12-1/16"-15-5/16" × 6-7/8")
	Weight	Approx. 2.4 kg* (5.3 lbs*)
	Applicable projectors	PT-AE8000/AT6000/AE7000/AT5000/AR100/AH1000/LZ370

* Average value. May differ depending on models.

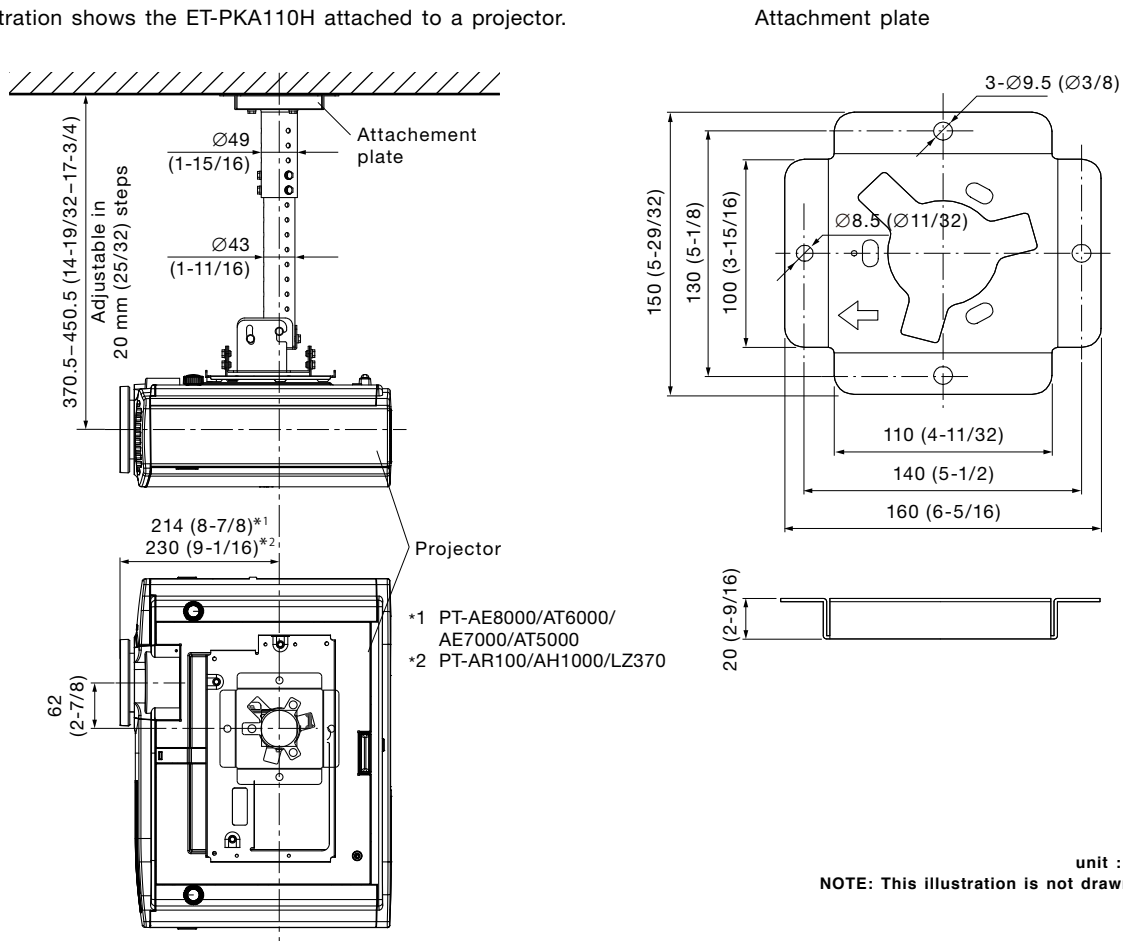
Parts	Attachment plate 1	Washer-fitted hexagonal bolts (M6 × 12)	... 19
	Projector mount bracket 1	Washer-fitted screws (M4 × 10) 4
	Adjustment pole A 1	Wire rope for ceiling mount bracket 1
	Adjustment pole B 1	Flat wire clip for ceiling mount bracket 2
	Angle adjusting bracket A 1	Clamp tube for ceiling mount bracket 2
	Angle adjusting bracket B 1	Projector drop-prevention kit 1

Caution:

- All mounting work must be done by a qualified technician.
- Ensure that the mounting (ceiling) area has sufficient strength.
- Read the enclosed mounting instructions carefully before starting the mounting procedure.
- When the system is no longer to be used, have a qualified technician promptly remove and dispose of it.
- Do not use a power screwdriver or impact screwdriver to tighten screws. A torque screwdriver or similar tool should be used.

Dimensions

Illustration shows the ET-PKA110H attached to a projector.



Weights and dimensions shown are approximate. Specifications subject to change without notice.