

Zoom lens

Description

This zoom lens is designed for use with a Panasonic’s applicable projector. The lens makes it possible to vary the projection distance by changing the focal distance.

NOTE: Please use the lens only on the specified Panasonic projectors.

Specifications

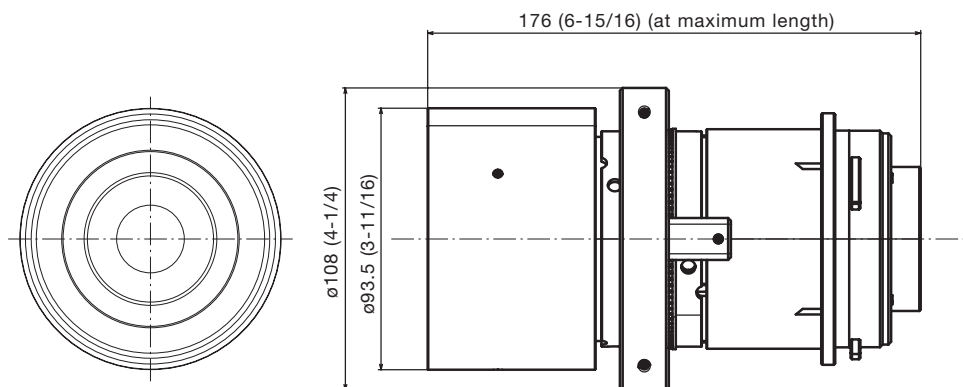
F value:	1.7 – 2.3
Focal distance (f):	26.9 mm – 45.4 mm
Throw ratio:	WUXGA 1.7 - 2.8:1 for PT-MZ670/MZ570/EZ770Z (16:10 aspect ratio) WXGA 1.7 - 2.8:1 for PT-MW630/MW530/EW730Z (16:10 aspect ratio) XGA 1.7 - 2.8:1 for PT-EX800Z (4:3 aspect ratio)
Dimensions (W × H × D):	108 × 108 × 176*1 mm (4-1/4 × 4-1/4 × 6-17/32*1 inches)
Weight:	Approx. 0.9 kg*2 (2.0 lbs*2)
Applicable projector:	[GROUP A] PT-EZ570 series: PT-EZ570/EZ570L/EW630/EW630L/EX600/EX600L/EW530/EW530L/ EX500/EX500L [GROUP B] PT-EZ580 series: PT-EZ580/EZ580L/EW640/EW640L/EX610/EX610L/EW540/EW540L/ EX510/EX510L PT-EZ770Z series: PT-EZ770Z/EZ770ZL/EW730Z/EW730ZL/EX800Z/EX800ZL [GROUP C] PT-MZ670series: PT-MZ670/MZ670L/MZ570/MZ570L/MW630/MW630L/MW530/MW530L

*1 At maximum length.

*2 Average value. May dif fer depending on the actual unit.

The throw ratio is an approximate value calculated by dividing the screen width by the projection distance.

Dimensions



NOTE: Please read the projector’s instruction manual for throw distances.

Weights and dimensions shown are approximate. Specifications subject to change without notice.

unit : mm (inch)

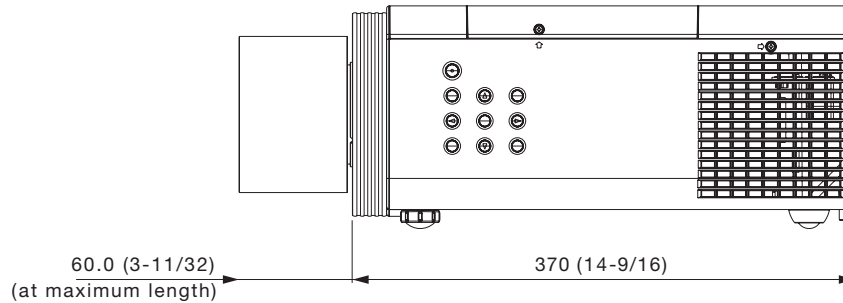
NOTE: This illustration is not drawn to scale.

Zoom lens

The illustration shows the lens attached to the projector.

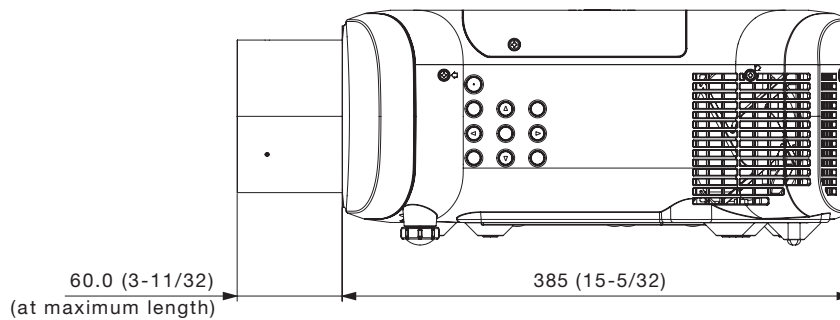
[GROUP A]

PT-EZ570 series: PT-EZ570/EZ570L/EW630/EW630L/EX600/EX600L/EW530/EW530L/EX500/EX500L



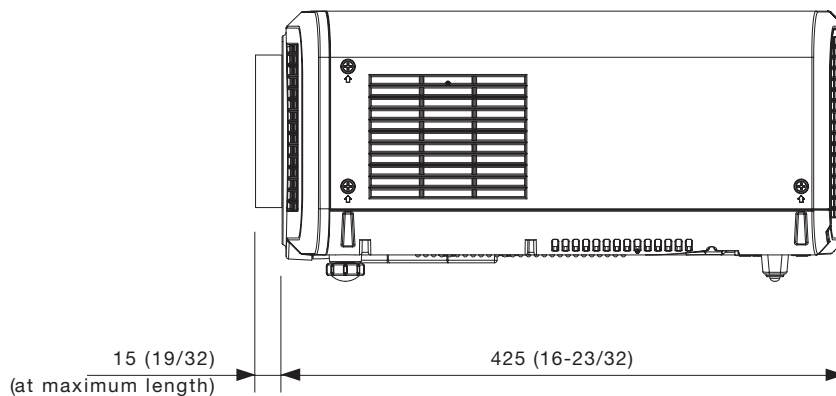
[GROUP B]

PT-EZ580 series: PT-EZ580/EZ580L/EW640/EW640L/EX610/EX610L/EW540/EW540L/EX510/EX510L
 PT-EZ770Z series: PT-EZ770Z/EZ770ZL/EW730Z/EW730ZL/EX800Z/EX800ZL



[GROUP C]

PT-MZ670 series: PT-MZ670/MZ670L/MZ570/MZ570L/MW630/MW630L/MW530/MW530L



NOTE: Please read the projector's instruction manual for throw distances.
 Weights and dimensions shown are approximate. Specifications subject to change without notice.

unit : mm (inch)
 NOTE: This illustration is not drawn to scale.