

This zoom lens is designed for use with the PT-DZ8700, PT-DZ110X or other 3-chip DLP™ projector. The lens makes it possible to vary the projection distance by changing the focal distance.

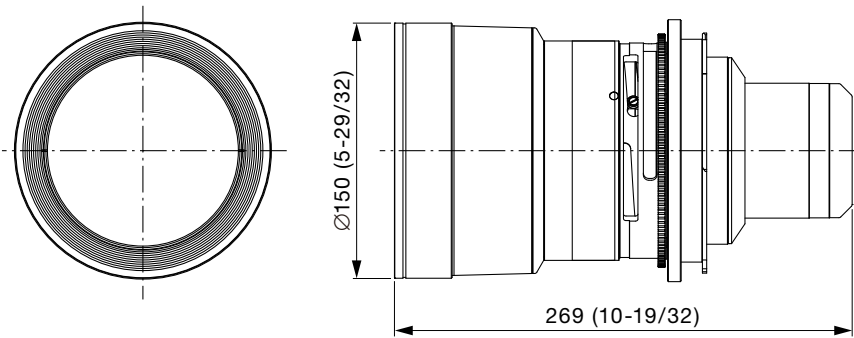
**NOTE:** Please use the lens only on the specified Panasonic 3-chip DLP™ projector.

**Specifications**

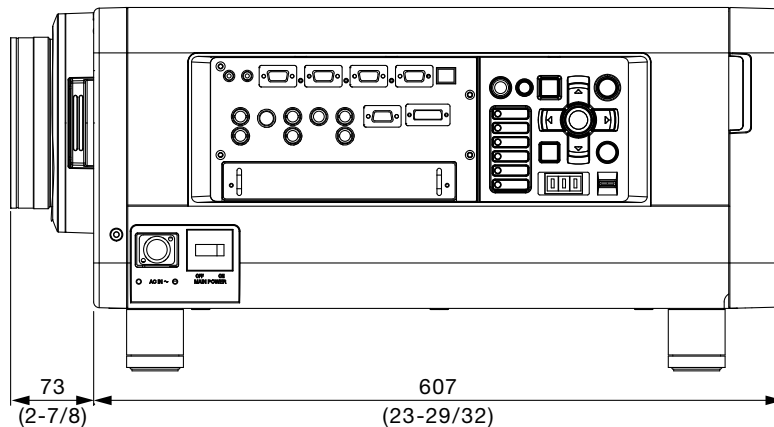
F value:	2.5
Focal distance (f):	27.4 mm–35.4 mm
Throw ratio:	1.3–1.7:1 for PT-DZ12000/DZ8700 (16:10 aspect ratio), 1.4–1.8:1 for PT-D12000/DS8500 (4:3 aspect ratio), 1.4–1.9:1 for PT-DW100/DW8300 (16:9 aspect ratio)
Dimensions (W × H × D):	150 × 150 × 269 mm (5-29/32" × 5-29/32" × 10-19/32")
Weight:	6.1 kg (13.4 lbs)

The throw ratio is an approximate value calculated by dividing the screen width by the projection distance.  
DLP and the DLP logo are trademarks of Texas Instruments.  
Weights and dimensions shown are approximate. Specifications subject to change without notice.

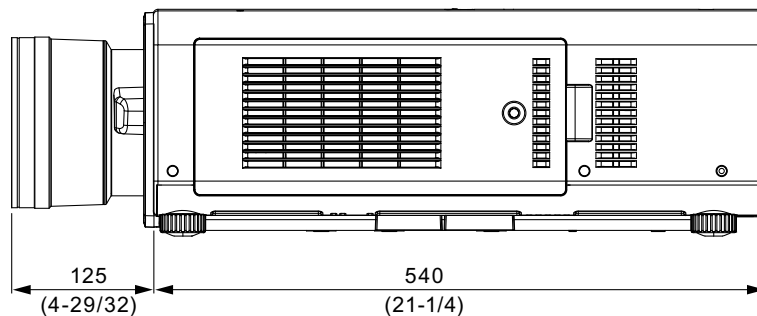
**Dimensions**



The illustration shows the lens attached to the PT-DZ12000/D12000/DW100.



The illustration shows the lens attached to the PT-DZ8700/DS8500/DW8300/DZ110X/DS100X/DW90X.



unit : mm (inch)  
NOTE: This illustration is not drawn to scale.

This zoom lens is designed for use with the PT-DZ8700, PT-DZ110X or other 3-chip DLP™ projector. The lens makes it possible to vary the projection distance by changing the focal distance.

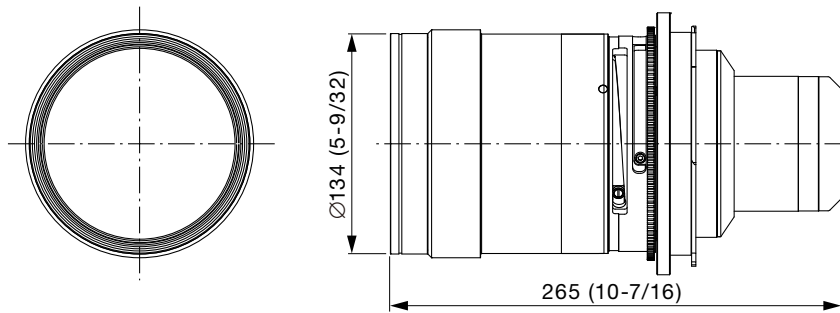
**NOTE:** Please use the lens only on the specified Panasonic 3-chip DLP™ projector.

**Specifications**

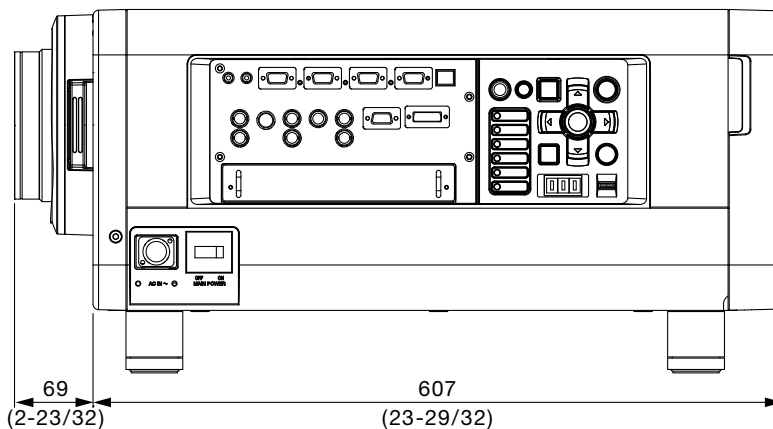
F value:	2.5
Focal distance (f):	35.0 mm–50.9 mm
Throw ratio:	1.7–2.4:1 for PT-DZ12000/DZ8700 (16:10 aspect ratio), 1.8–2.6:1 for PT-D12000/DS8500 (4:3 aspect ratio), 1.8–2.7:1 for PT-DW100/DW8300 (16:9 aspect ratio)
Dimensions (W × H × D):	134 × 134 × 265 mm (5-9/32" × 5-9/32" × 10-7/16")
Weight:	5.2 kg (11.5 lbs)

The throw ratio is an approximate value calculated by dividing the screen width by the projection distance.  
DLP and the DLP logo are trademarks of Texas Instruments.  
Weights and dimensions shown are approximate. Specifications subject to change without notice.

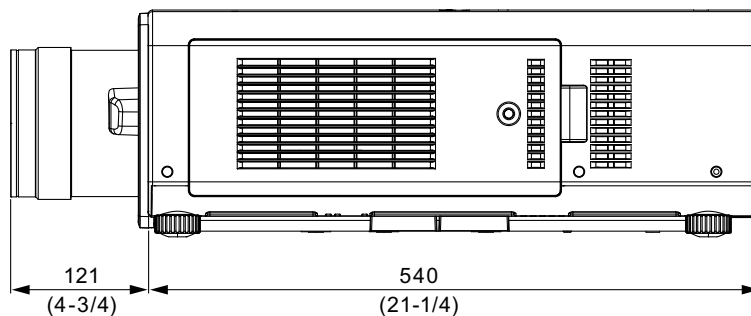
**Dimensions**



The illustration shows the lens attached to the PT-DZ12000/D12000/DW100.



The illustration shows the lens attached to the PT-DZ8700/DS8500/DW8300/DZ110X/DS100X/DW90X.



unit : mm (inch)  
NOTE: This illustration is not drawn to scale.

This zoom lens is designed for use with the PT-DZ8700, PT-DZ110X or other 3-chip DLP™ projector. The lens makes it possible to vary the projection distance by changing the focal distance.

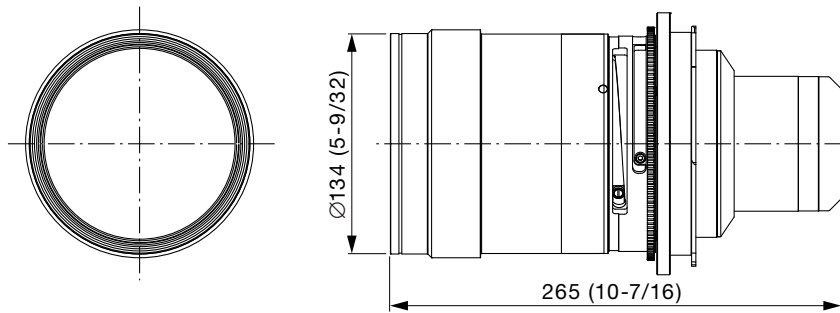
**NOTE:** Please use the lens only on the specified Panasonic 3-chip DLP™ projector.

**Specifications**

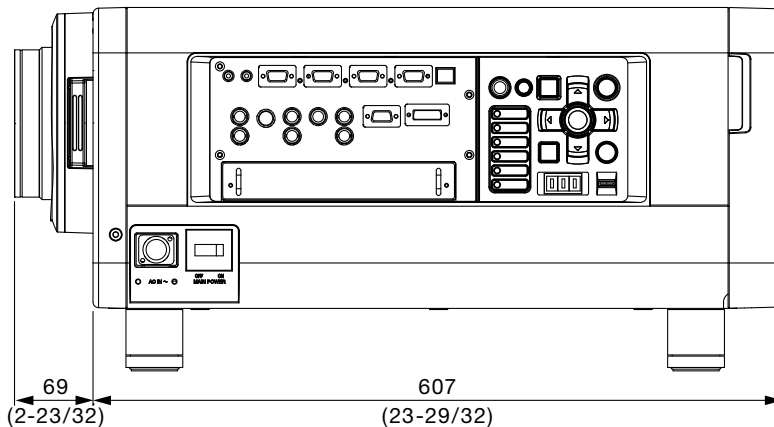
F value:	2.5
Focal distance (f):	50.5 mm–97.9 mm
Throw ratio:	2.4–4.7:1 for PT-DZ12000/DZ8700 (16:10 aspect ratio), 2.6–5.1:1 for PT-D12000/DS8500 (4:3 aspect ratio), 2.7–5.2:1 for PT-DW100/DW8300 (16:9 aspect ratio)
Dimensions (W × H × D):	134 × 134 × 265 mm (5-9/32" × 5-9/32" × 10-7/16")
Weight:	5.2 kg (11.5 lbs)

The throw ratio is an approximate value calculated by dividing the screen width by the projection distance.  
DLP and the DLP logo are trademarks of Texas Instruments.  
Weights and dimensions shown are approximate. Specifications subject to change without notice.

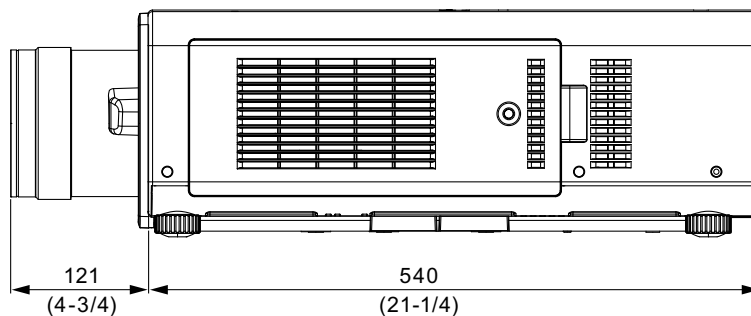
**Dimensions**



The illustration shows the lens attached to the PT-DZ12000/D12000/DW100.



The illustration shows the lens attached to the PT-DZ8700/DS8500/DW8300/DZ110X/DS100X/DW90X.



unit : mm (inch)  
NOTE: This illustration is not drawn to scale.

Zoom Lens

This zoom lens is designed for use with Panasonic's applicable projectors. The lens makes it possible to vary the projection distance by changing the focal distance.

**NOTE:** Please use the lens only on the specified Panasonic projector.

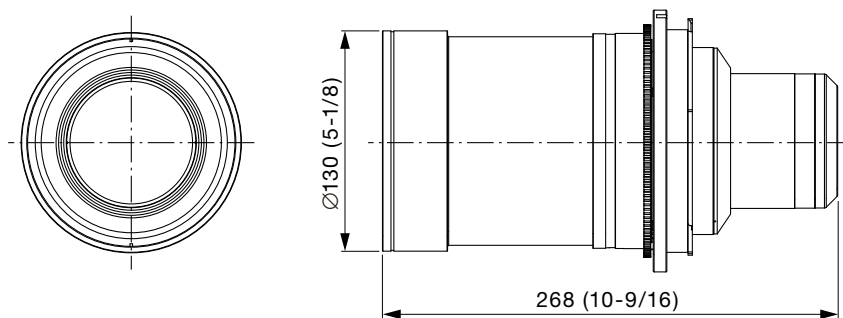
**Specifications**

F value:	2.5
Focal distance (f):	96.6–154.1 mm
Throw ratio:	4.6–7.4:1 for PT-DZ21K/DZ8700/DZ110X (16:10 aspect ratio), 5.0–8.0:1 for PT-DS20K/DS8500/DS100X (4:3 aspect ratio), 5.1–8.2:1 for PT-DW17K/DW8300/DW90X (16:9 aspect ratio)
Dimensions (W × H × D):	130 × 130 × 268 mm (5-1/8 × 5-1/8 × 10-9/16 inches)
Weight:	Approximately 5.0 kg* (11.0 lbs*)
Applicable projector:	PT-DZ21K/DS20K/DW17K/DZ8700/DS8500/DW8300/DZ110X/DS100X/DW90X

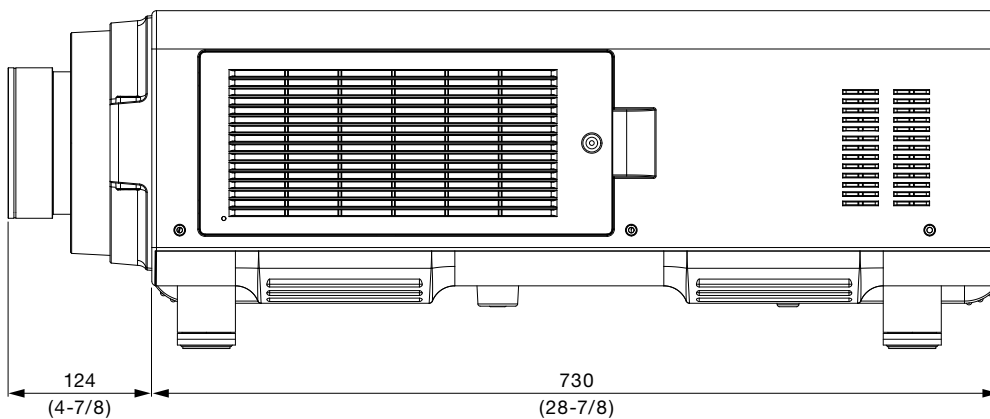
\* Average value. May differ depending on the actual unit.

The throw ratio is an approximate value calculated by dividing the screen width by the projection distance.

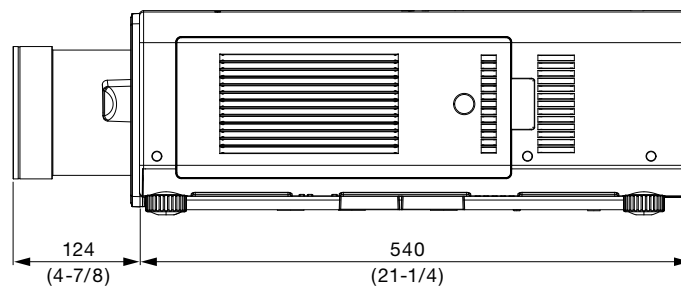
**Dimensions**



The illustration shows the lens attached to the PT-DZ21K/DS21K/DW17K.



The illustration shows the lens attached to the PT-DZ8700/DS8500/DW8300/DZ110X/DS100X/DW90X.



unit : mm (inch)

**NOTE:** This illustration is not drawn to scale.

**NOTE:** Please read the projector's instruction manual for throw distances.  
Weights and dimensions shown are approximate. Specifications subject to change without notice.

This fixed-focus lens is designed for use with Panasonic's applicable projectors. The short-throw lens is ideal for rear projection.

**NOTE:** Please use the lens only on the specified Panasonic projector.

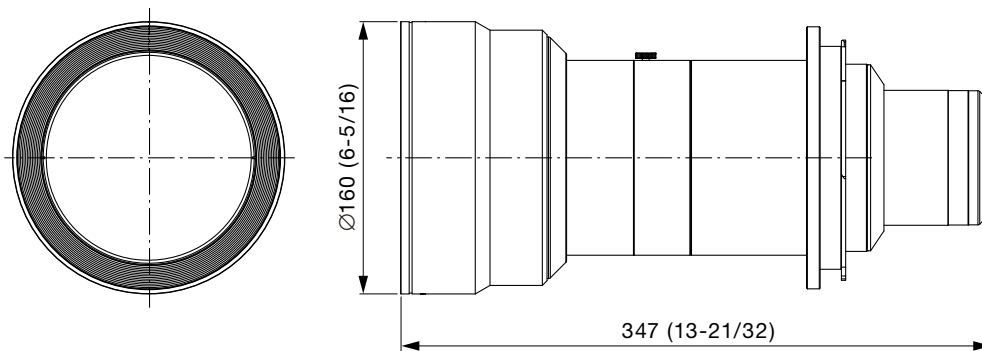
**Specifications**

F value:	2.5
Focal distance (f):	14.8 mm
Throw ratio:	0.7:1 for PT-DZ21K/DZ8700/DZ110X (16:10 aspect ratio), 0.8:1 for PT-DS20K/DS8500/DS100X (4:3 aspect ratio), 0.8:1 for PT-DW17K/DW8300/DW90X (16:9 aspect ratio)
Dimensions (W × H × D):	160 × 160 × 347 mm (6-5/16 × 6-5/16 × 13-21/32 inches)
Weight:	Approximately 7.1 kg* (15.7 lbs*)
Applicable projector:	PT-DZ21K/DS20K/DW17K/DZ8700/DS8500/DW8300/DZ110X/DS100X/DW90X

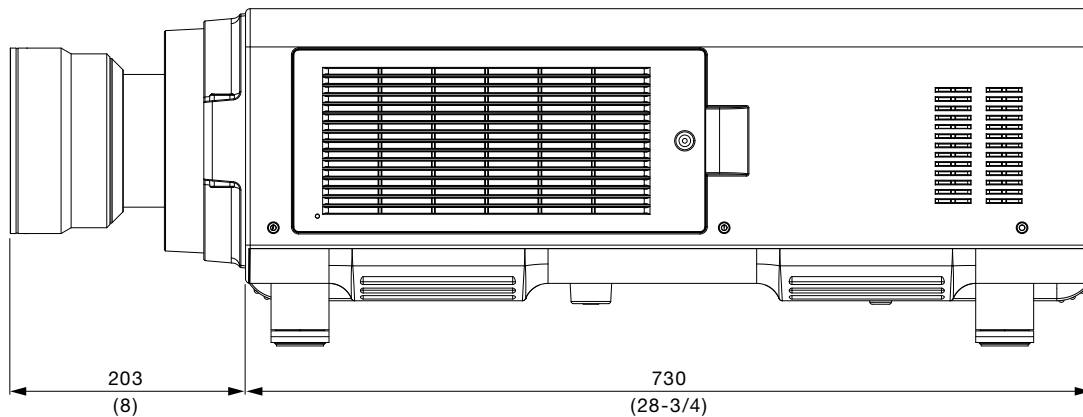
\* Average value. May differ depending on the actual unit.

The throw ratio is an approximate value calculated by dividing the screen width by the projection distance.

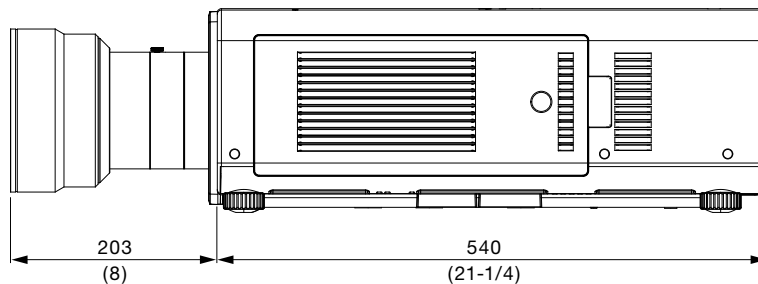
**Dimensions**



The illustration shows the lens attached to the PT-DZ21K/DS21K/DW17K.



The illustration shows the lens attached to the PT-DZ8700/DS8500/DW8300/DZ110X/DS100X/DW90X.



unit : mm (inch)

**NOTE:** This illustration is not drawn to scale.

**NOTE:** Please read the projector's instruction manual for throw distances.  
Weights and dimensions shown are approximate. Specifications subject to change without notice.

This zoom lens is designed for use with the PT-DZ8700, PT-DZ110X or other 3-chip DLP™ projector. The lens makes it possible to vary the projection distance by changing the focal distance.

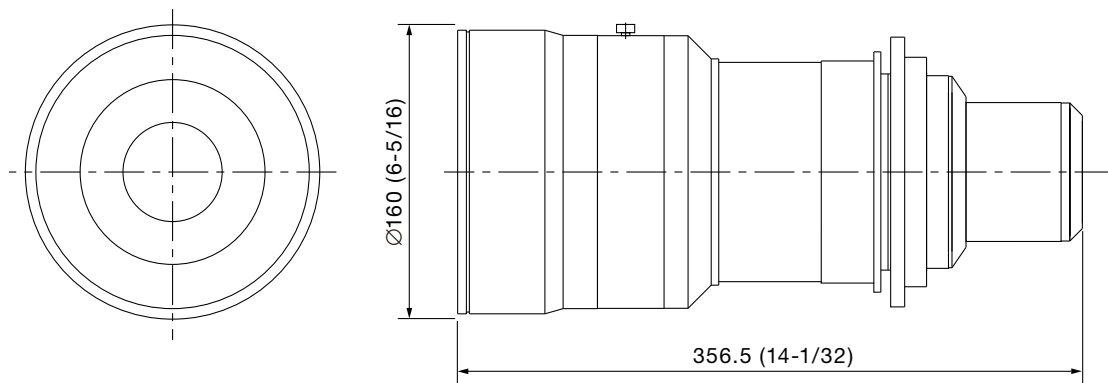
**NOTE:** Please use the lens only on the specified Panasonic 3-chip DLP™ projector.

**Specifications**

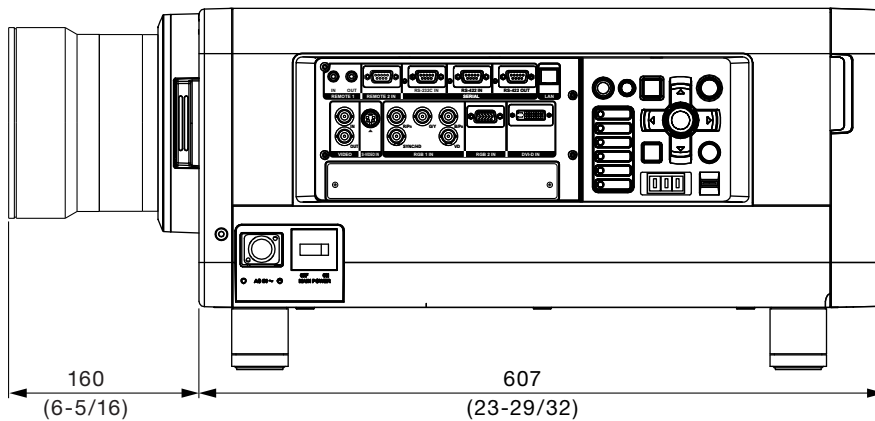
F value:	2.5
Focal distance (f):	19.63 mm–23.54 mm
Throw ratio:	0.9–1.1:1 for PT-DZ12000/DZ8700 (16:10 aspect ratio), 1.0–1.2:1 for PT-D12000/DS8500 (4:3 aspect ratio), 1.0–1.2:1 for PT-DW100/DW8300 (16:9 aspect ratio)
Dimensions (W × H × D):	160 × 160 × 356.5 mm (6-5/16" × 6-5/16" × 14-1/32")
Weight:	8.7 kg (19.2 lbs)

The throw ratio is an approximate value calculated by dividing the screen width by the projection distance.  
DLP and the DLP logo are trademarks of Texas Instruments.  
Weights and dimensions shown are approximate. Specifications subject to change without notice.

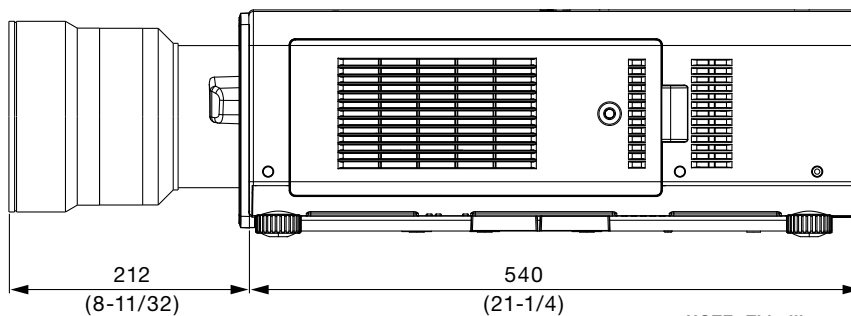
**Dimensions**



The illustration shows the lens attached to the PT-DZ12000/D12000/DW100.



The illustration shows the lens attached to the PT-DZ8700/DS8500/DW8300/DZ110X/DS100X/DW90X.



unit : mm (inch)  
**NOTE:** This illustration is not drawn to scale.

This zoom lens is designed for use with the PT-DZ8700, PT-DZ110X or other 3-chip DLP™ projector. The lens makes it possible to vary the projection distance by changing the focal distance.

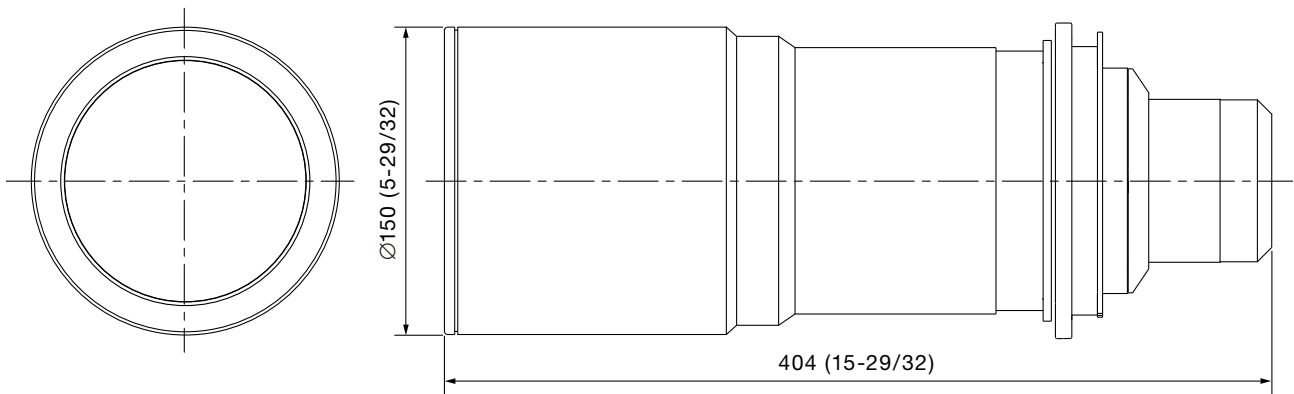
**NOTE:** Please use the lens only on the specified Panasonic 3-chip DLP™ projector.

**Specifications**

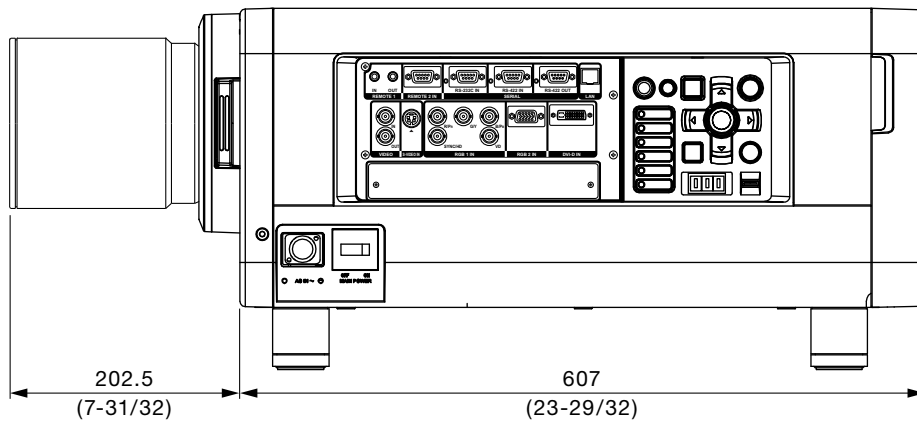
F value:	2.5–2.7
Focal distance (f):	154 mm–289 mm
Throw ratio:	7.3–13.8:1 for PT-DZ12000/DZ8700 (16:10 aspect ratio), 7.9–15.0:1 for PT-D12000/DS8500 (4:3 aspect ratio), 8.2–15.4:1 for PT-DW100/DW8300 (16:9 aspect ratio)
Dimensions (W × H × D):	150 × 150 × 404 mm (5-29/32" × 5-29/32" × 15-29/32")
Weight:	8.5 kg (18.7 lbs)

The throw ratio is an approximate value calculated by dividing the screen width by the projection distance.  
DLP and the DLP logo are trademarks of Texas Instruments.  
Weights and dimensions shown are approximate. Specifications subject to change without notice.

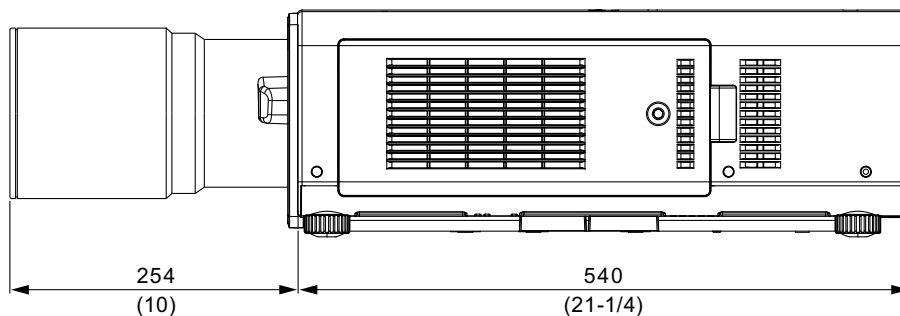
**Dimensions**



The illustration shows the lens attached to the PT-DZ12000/D12000/DW100.



The illustration shows the lens attached to the PT-DZ8700/DS8500/DW8300/DZ110X/DS100X/DW90X.



unit : mm (inch)

NOTE: This illustration is not drawn to scale.