

**Description**

This ceiling mount bracket is used when mounting a PT-DZ570 series DLP™ projector to low ceilings.

<b>Specifications</b>	Vertical correction angle:	+5°, -15°
	Horizontal slant correction angle:	±10°
	Horizontal turn correction angle:	±3°
	Dimensions (W × H × D):	219 × 83 × 282 mm (8-5/8" × 3-9/32" × 11-3/32")
	Weight:	Approx. 1.5 kg* (3.3 lbs*)

\* Average value. May differ depending on models.

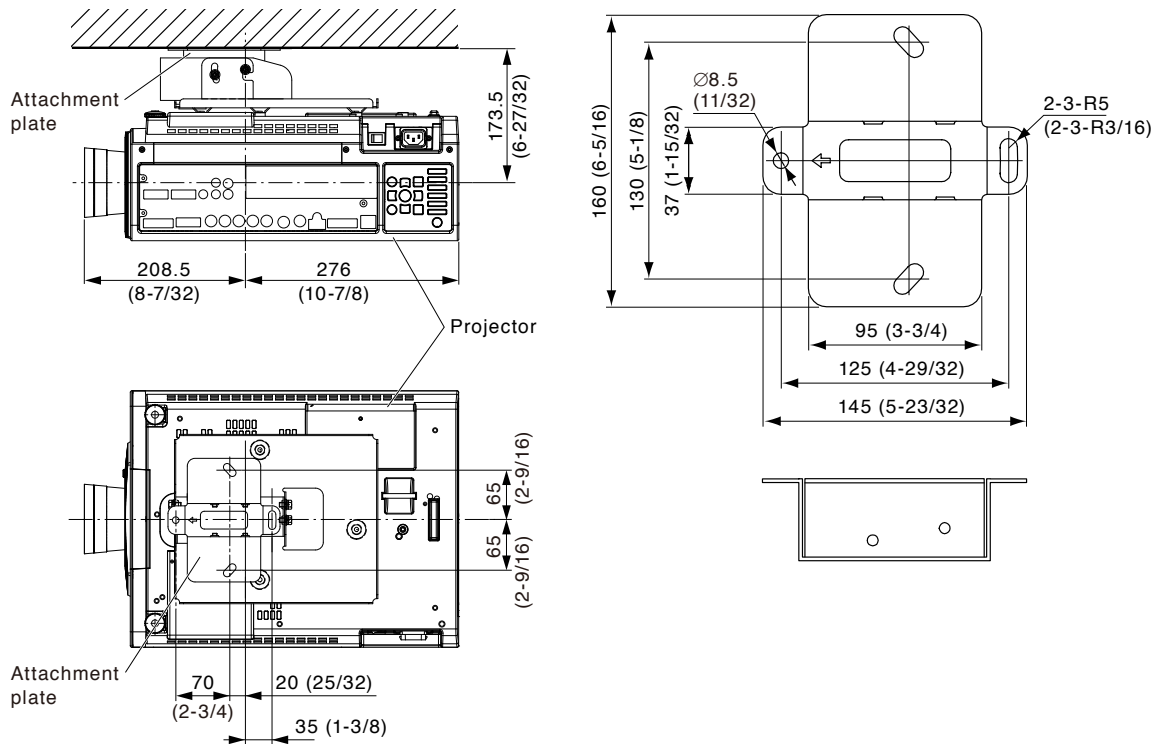
<b>Parts</b>	Attachment plate .....	1	Washer-fitted bolts (M6 × 12) .....	8
	Projector mount bracket .....	1	Washer-fitted bolts (M4 × 12) .....	4
	Angle adjuster .....	1		

**Caution:**

- Mounting should be done by a qualified technician.
- Make sure that the mounting (ceiling) area has sufficient strength.
- Read the enclosed mounting instructions thoroughly before starting.
- Do not use an electric screwdriver or impact driver to tighten screws. Use a torque driver or hexagon torque wrench and tighten screws to the torque specified in the instructions.
- When the product is no longer going to be used, have it disposed of quickly by a professional disposal service.

**Dimensions**

Illustration shows the bracket attached to a projector.



unit : mm (inch)  
NOTE: This illustration is not drawn to scale.

DLP and the DLP logo are trademarks of Texas Instruments.  
Weights and dimensions shown are approximate. Specifications subject to change without notice.