

Description

This ceiling mount bracket is used when mounting a PT-DZ570 series DLP™ projector to high ceilings.

Specifications

Vertical correction angle:	+5°, -17°
Horizontal slant correction angle:	±2.5°
Horizontal turn correction angle:	±1.2°
Dimensions (W × H × D):	344 × 340–420 × 300 mm (13-17/32" × 13-3/8"-16-17/32" × 11-13/16")
Weight:	Approx. 9.2 kg* (20.3 lbs*)

* Average value. May differ depending on models.

Parts

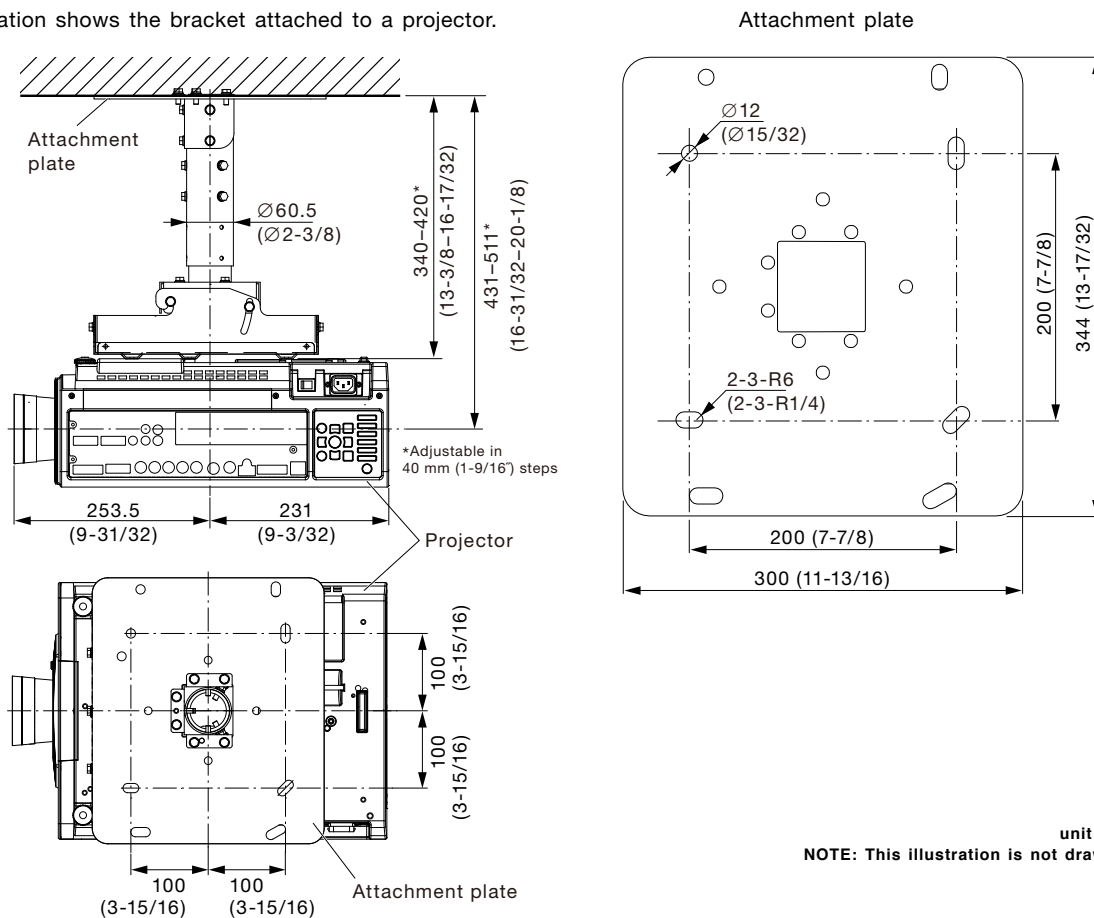
Attachment plate 1	Pole fixing bracket 1
Projector mount bracket 1	Washer-fitted bolts (M6 × 80) 2
Adjuster pole A 1	Washers (M6) 2
Adjuster pole B 1	Hexagonal nuts (M6) 2
Angle adjuster 1	Washer-fitted screws (M4 × 12) 4
Pole support bracket 1 1	Washer-fitted screws (M6 × 12) 30
Pole support bracket 2 1	Seal packing 1

Caution:

- Mounting should be done by a qualified technician.
- Make sure that the mounting (ceiling) area has sufficient strength.
- Read the enclosed mounting instructions thoroughly before starting.
- Do not use an electric screwdriver or impact driver to tighten screws. Use a torque driver or hexagon torque wrench and tighten screws to the torque specified in the instructions.
- When the product is no longer going to be used, have it disposed of quickly by a professional disposal service.

Dimensions

Illustration shows the bracket attached to a projector.



DLP and the DLP logo are trademarks of Texas Instruments.
Weights and dimensions shown are approximate. Specifications subject to change without notice.