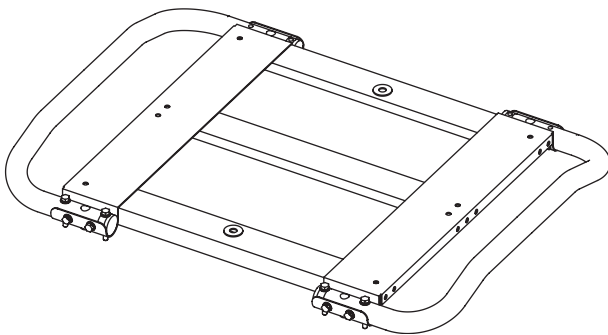


Installation Instructions

Carrying handle for DLP® Based Projectors

Model No. **ET-HAD100**



Contents

Important Safety Notice	2
Product description	3
Installation	3
Specifications	Back cover

For DLP® Based Projector:
PT-D10000 / PT-DW10000

Note

PT-D10000U/PT-DW10000U PT-D10000E/PT-DW10000E	The models listed on the left side are the PT-D10000/PT-DW10000.
--	--

Thank you for choosing the Carrying handle for Panasonic DLP® Based Projectors.

■ Only a qualified installer should install this product.

Read these instructions completely before installing this product.

These installation instructions must always be handed over to the customer.

Important Safety Notice

Dear Panasonic Customer:

This instruction booklet provides all the necessary operating information that you might require. We hope it will help you to get the most performance out of new product, and that you will be pleased with your Panasonic Carrying handle.

The serial number of your product may be found on its back. You should note it in the space provided below and retain this booklet in case service is required.

Model number: **ET-HAD100**

Serial number:

Precautions with regard to safety

WARNING

Installation work should only be carried out by a qualified technician.

- If this product is not installed correctly, serious accidents may result.

Do not place the projector on top of surfaces which are unstable.

- If the projector is placed on top of a surface which is sloped or unstable, it may fall down or tip over, and injury or damage could result.

Do not set up the projector in humid or dusty places or in places where the projector may come into contact with oily smoke or steam.

- Using the projector under such conditions may result in fire, electric shocks or plastic deterioration.
The plastic deterioration may cause the falling down of the projector which is mounted in the ceiling.

These steps must be carried out by more than 2 persons.

- If this product is not installed correctly, serious accidents may result.

CAUTION

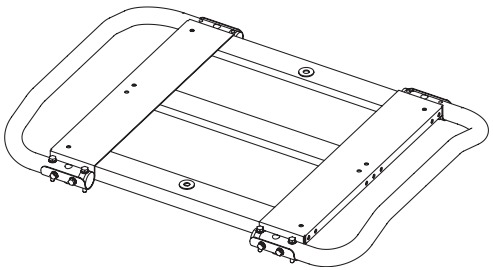
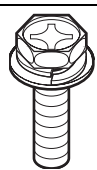
Do not install the carrying handle in a place which may impede projector ventilation.

- If this is not observed, fire may result.

Product description

The carrying handle is for use when moving the DLP® projector. The projector can also be used with the handle still fitted.

■ Components

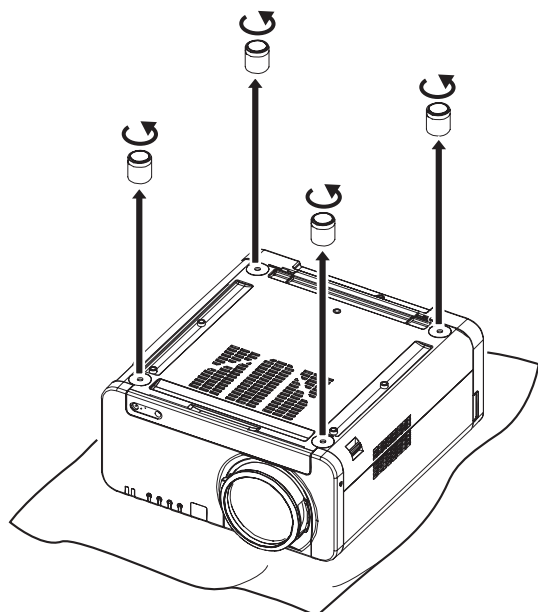
Parts name	Form	Purpose
Carrying handle	 X 1	The Carrying handle.
Fixing screw for carrying handle	 Hex-head bolt, captive washer (M6 x 25) X 5	For fastening the carrying handle to the projector.

- Screw tightening torques M6: $4 \pm 0.5 \text{ N}\cdot\text{m}$
- If products are no longer being used, they should be dismantled and removed by a qualified technician as soon as possible.
- Use a torque wrench or similar tool when tightening the bolts and nuts. Do not use electric screwdrivers or impact screwdrivers.

Installation

Installation the carrying handle on the projector by following the procedure bellow.

- ① Place the projector upside-down onto a piece of soft material.



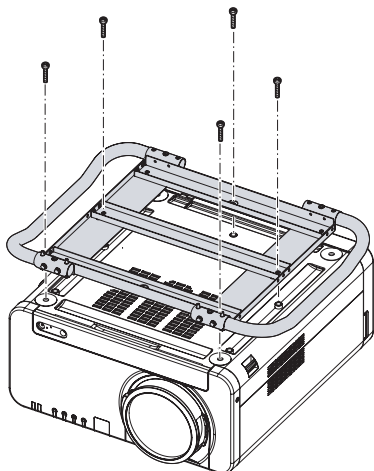
Warning

These steps must be carried out by more than 2 persons.

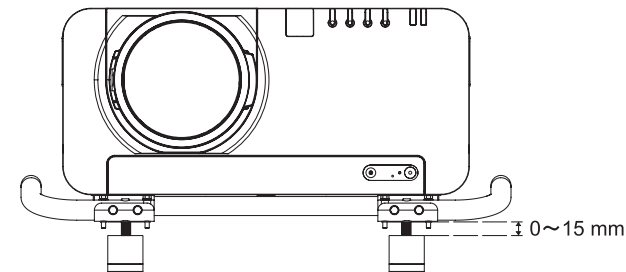
- ② Turn the four adjustable feet on the bottom of the projector counterclockwise to remove them. (These adjustable feet will be used as the feet for the carrying handle.)

Installation

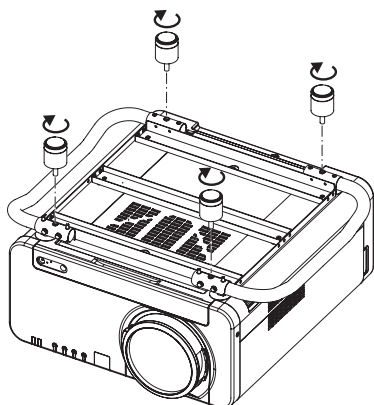
- ③ Attach the carrying handle to the projector.
- ④ Fasten the carrying handle to the projector using the five screws.



- ⑥ Return the projector to its original position. (i.e., the top surface of the projector facing up.)
- ⑦ Position the projector where required, and then adjust the height and inclination with the four adjustable feet at the front, back, left and right.



- ⑤ Secure the four adjustable feet that were removed in step ② to the carrying handle.



* To remove the carrying handle, perform steps ② through ⑤ in reverse order.

Specifications

Adjustment range	0 - 15 mm (0 - ⁹ / ₁₆ inch.)
Dimension	Width : 697 mm (27 ⁷ / ₁₆ "") Height : 120 mm (4 ²³ / ₃₂ "") [Including adjustable feet, When at minimum adjustment] Length: 509 mm (20 ¹ / ₃₂ "")
Weight	5.1 kg (11.2 lbs.) [Including adjustable feet]

Matsushita Electric Industrial Co., Ltd

Web Site : <http://www.panasonic.co.jp/global/>

© 2006 Matsushita Electric Industrial Co., Ltd. All Rights Reserved.

S1206-1017B
Printed in Japan