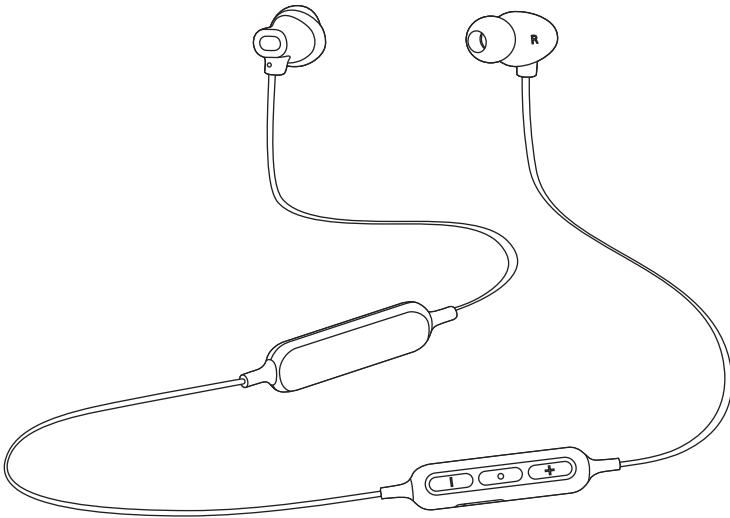


Panasonic[®]

Operating Instructions Digital Wireless Stereo Earphones

Model No. **RZ-NJ320B**



Thank you for purchasing this product.

Please read these instructions carefully before using this product, and save this manual for future use.

Safety precautions

■ Unit

WARNING:

To reduce the risk of fire, electric shock or product damage,

- Do not expose this unit to rain, moisture, dripping or splashing.
- Do not place objects filled with liquids, such as vases, on this unit.
- Use the recommended accessories.
- Do not remove covers.
- Do not repair this unit by yourself. Refer servicing to qualified service personnel.

Avoid the use in the following conditions

- High or low extreme temperatures during use, storage or transportation.
 - Disposal of a battery into fire or a hot oven, or mechanically crushing or cutting of a battery, that can result in an explosion.
 - Extremely high temperature and/or extremely low air pressure that can result in an explosion or the leakage of flammable liquid or gas.
- Avoid using or placing this unit near sources of heat.
 - Do not listen with this unit at high volume in places where you need to hear sounds from the surrounding environment for safety, such as at railroad crossings, and construction sites.
 - Do not use this unit near medical devices. This unit uses magnets, so it can affect the operation of the pacemakers, defibrillators, and other medical devices. If you are using such devices and have concerns, consult your doctor before starting to use this product.
 - Keep this unit away from something susceptible to the magnetism. Such devices as a clock may not operate correctly.

■ Earpieces

- Keep the earpieces out of reach of children to prevent swallowing.
- Securely attach the earpieces. If they are left in the ears after coming off, injury or sickness may be caused.

■ Allergies

- Discontinue use if you experience discomfort with the earphones or any other parts that directly contact your skin.
- Continued use may cause rashes or other allergic reactions.

■ Precautions for listening with the Earphones

- Excessive sound pressure from earphones and headphones can cause hearing loss.
- Do not use your earphones at a high volume. Hearing experts advise against continuous extended play.
- If you experience a ringing in your ears, reduce volume or discontinue use.
- Do not use while operating a motorised vehicle. It may create a traffic hazard and is illegal in many areas.
- You should use extreme caution or temporarily discontinue use in potentially hazardous situations.

This unit may receive radio interference caused by mobile telephones during use. If such interference occurs, please increase separation between this unit and the mobile telephone.

Use only the supplied USB charging cord when connecting to a computer.

About Bluetooth®

Panasonic bears no responsibility for data and/or information that is compromised during a wireless transmission.

■ Frequency band used

This unit uses the 2.4 GHz frequency band.

■ Certification of this unit

- This unit conforms to frequency restrictions and has received certification based on frequency laws. Thus, a wireless permit is not necessary.
- The actions below are punishable by law in some countries:
 - Taking apart/modifying this unit.
 - Removing specification indications.

■ Restrictions of use

- Wireless transmission and/or usage with all Bluetooth® equipped devices is not guaranteed.
- All devices must conform to standards set by Bluetooth SIG, Inc.
- Depending on the specifications and settings of a device, it can fail to connect or some operations can be different.
- This unit supports Bluetooth® security features. But depending on the operating environment and/or settings, this security may not be sufficient. Transmit data wirelessly to this unit with caution.
- This unit cannot transmit data to a Bluetooth® device.

■ Range of use

Use this unit at a maximum range of 10 m.

The range can decrease depending on the environment, obstacles or interference.

■ Interference from other devices

- This unit may not function properly and troubles such as noise and sound jumps may arise due to radio wave interference if this unit is located too close to other Bluetooth® devices or the devices that use the 2.4 GHz band.
- This unit may not function properly if radio waves from a nearby broadcasting station, etc. is too strong.

■ Intended usage

- This unit is for normal, general use only.
- Do not use this system near an equipment or in an environment that is sensitive to radio frequency interference (example: airports, hospitals, laboratories, etc.).

Table of contents

Safety precautions	2
About Bluetooth®	3

Before use

Accessories	5
Maintenance.....	5
Part names	6

Preparation

Charging.....	7
Turning the power on/off	8
How to wear the earphones	8
Connecting a Bluetooth® device	9
• Pairing (Registration) this unit with the Bluetooth® device for connection	9
• Connecting a paired Bluetooth® device	10

Operation

Listening to music	11
• Remote controlling.....	11
Making a phone call	12
Useful functions.....	13
• Activating voice functions	13
• Guidance messages.....	13
• Battery level notification.....	13
• Auto power off	13
• Resetting the unit	13
• When the earphones are removed from the ears and hung around the neck	13

Other

Restoring to the factory settings.....	14
Copyright, etc.	14
Troubleshooting.....	15
• Sound and audio volume.....	15
• Bluetooth® device connection	15
• Phone Calls	15
• General.....	16
• Power supply and charging	16
Specifications	17
To remove the battery when disposing of this unit	18

Expressions used in this document

- Pages to be referred to are indicated as “→ ○○”.
- The product illustrations may differ from the actual product.

Accessories

Please check and identify the supplied accessories.

1 x USB charging cord

1 x Earpieces set (S, M, L)

- M-size earpieces are attached at the time of purchase.

Maintenance

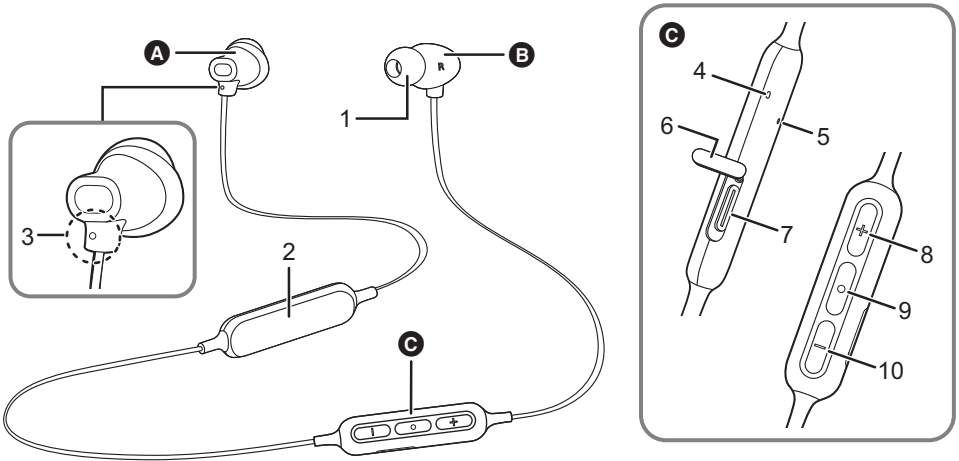
Clean this unit with a dry and soft cloth.

- Do not use solvents including benzine, thinner, alcohol, kitchen detergent, a chemical wiper, etc. This may deteriorate or discolour the exterior case.

Keeping the battery performance

- During the long period of disuse, full charge this unit once every 6 months to keep the battery performance.

Part names



- A** Left earphone (Built-in magnet)
- B** Right earphone (Built-in magnet)
- C** Remote controller

- 1 Earpiece
- 2 Battery case
- 3 Raised dot indicating the left side
- 4 LED indicator light^{*1*2}
- 5 Microphone
- 6 USB lid

- 7 Charging terminal (DC IN)
 - Open the USB lid and connect the USB charging cord (supplied) to this terminal when charging. (→ 7)
- 8 [+] button
- 9 [O] button
- 10 [-] button

*1 Hereafter referred to as "LED"

*2 Examples of lighting/blinking patterns

Lighting (red):	Charging is in progress
Blinking alternately in blue and red:	Bluetooth® pairing (registration) standby
Blinking slowly (blue) ^{*3} :	Bluetooth® connection standby
Blinking twice about every 2 seconds (blue) ^{*3} :	A Bluetooth® pairing (registration) has been established or a call is in progress
Blinking (blue) ^{*3} :	A call is being received

*3 Red blinks will be added when the battery level starts to run low. (→ 13, "Battery level notification")

Charging

The rechargeable battery (installed in the unit) is not charged initially. Charge the battery before using the unit.

1 Open the USB lid.

- If there is moisture in the USB lid area, wipe it off before opening the lid.

2 Connect this unit to a computer using the USB charging cord.

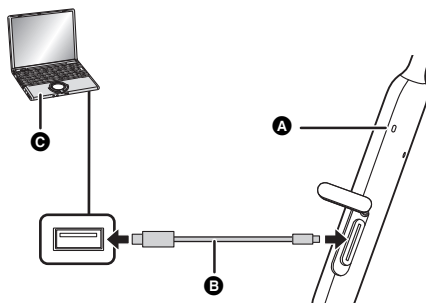
A: LED

B: USB charging cord (supplied)

- Check the direction of the terminals and plug in/out straight holding onto the plug. (It may result in malfunction by the deforming of the terminal if it is plugged in obliquely or in wrong direction.)

C: Computer

- Turn on the computer in advance.



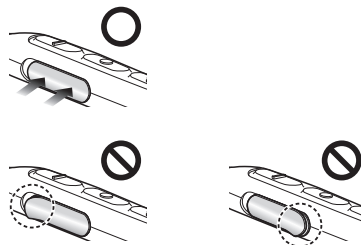
- The LED lights in red when charging is in progress. When charging is completed, the LED will go out.
- It takes approx. 3 hours to charge the battery from empty to full.

3 Close the USB lid securely.

■ Attention

Do not touch the charging terminal with wet hand.

- If sweat or liquid is attached to the charging terminal, malfunction may occur.



Note

- Charge in a room temperature between 10 °C and 35 °C. Outside of this temperature range, charging may stop and the LED may go out.
- It is not possible to turn the power on or connect to Bluetooth® devices during charging.
- Do not use any other USB charging cords except the supplied one. Doing so may cause malfunction.
- Charging may not be performed or may stop if the computer is in or switched to standby or sleep mode.

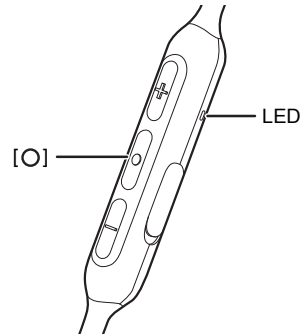
Turning the power on/off

In the power-off state, press and hold [O] of this unit for approx. 3 seconds until the LED (blue) blinks.

• A beep will sound, and the LED (blue) will blink slowly.

■ To turn the power off

Press and hold [O] for approximately 3 seconds. An English guidance message will be heard, and the power will be turned off.



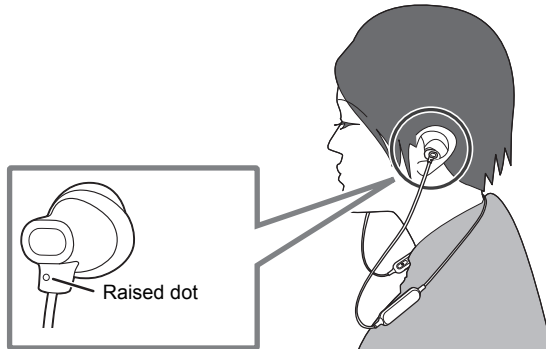
Note

• If the unit is not connected to a Bluetooth® device, an English guidance message will be heard and turn off the unit automatically approximately 5 minutes after you have stopped using it. (→ 13, "Auto power off")

How to wear the earphones

The left earphone has the raised dot as shown in the illustration.

• M-size earpieces are attached at the time of purchase. If they are not the right size, replace them with S or L-size earpieces (supplied).



Connecting a Bluetooth[®] device

Preparation

- Place the Bluetooth[®] device within approx. 1 m from the unit.
- Check the device operation using its operation instructions as required.

Pairing (Registration) this unit with the Bluetooth[®] device for connection

1 In the power-off state, press and hold [O] of this unit until the LED blinks.

When pairing a device for the first time: approx. 3 seconds

When pairing a second or subsequent devices: approx. 5 seconds

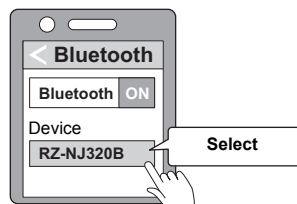
- The unit starts to search for the Bluetooth[®] device for connection, and the LED will blink in blue and red alternately.

2 Turn on the power of the Bluetooth[®] device, and enable the Bluetooth[®] function.

3 Select “RZ-NJ320B” from the Bluetooth[®] device’s menu.

- A MAC address (an alphanumeric character string that is displayed by and unique to the device) may be displayed before “RZ-NJ320B” is displayed.
- If prompted for a passkey, input the passkey “0000 (four zeros)” of this unit.

e.g.



4 Check the connection with the Bluetooth[®] device on the unit.

- The LED will blink in blue and red alternately until the connection with the device is completed. When the LED (blue) blinks twice every approx. 2 seconds, pairing (registration) is completed. (Connection established)

Note

- If connection to a device is not established within approximately 5 minutes, the unit will be turned off. Perform pairing again.
- You can pair up to 8 Bluetooth[®] devices with this unit. If a 9th device is paired, the device with the oldest connection will be replaced. To use it, perform pairing again.

Connecting a paired Bluetooth® device

1 Turn on this unit.

- Press and hold [○] of this unit for approx. 3 seconds until the LED (blue) blinks.
- A beep will sound, and the LED (blue) will blink slowly.

2 Perform steps 2 and 3 of “Pairing (Registration) this unit with the Bluetooth® device for connection”. (→ 9)

- When the LED (blue) blinks twice every approx. 2 seconds, pairing (registration) is completed. (Connection established)

Note

- This unit remembers the device lastly connected. Connection may be automatically established after step 1 (see above).
- If connection to a device is not established within approximately 5 minutes, the unit will be turned off. Turn on the unit again.

Listening to music

If the Bluetooth® compatible device supports the “A2DP” and “AVRCP” Bluetooth® profiles, music can be played back with remote control operations on the unit.

- A2DP (Advanced Audio Distribution Profile): Transmits audio to the unit.
- AVRCP (Audio/Video Remote Control Profile): Allows remote control of the device using the unit.

1 Connect the Bluetooth® device and the unit. (→ 9, “Connecting a Bluetooth® device”)

2 Select and play the music on the Bluetooth® device.

- The unit’s earphones will output the music or the audio of the video being played back.
- Operating time:
The maximum playback time is approximately 18 hours. (It may become shorter depending on the usage conditions.)

■ Attention

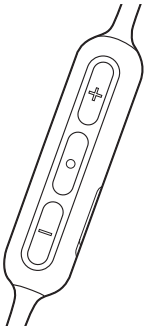
- The unit might leak sound depending on the volume level.
- When the volume is increased to near maximum level, music may sound distorted. Decrease the volume until the distortion is cleared.

Remote controlling

You can control the Bluetooth® device using the unit.

- Depending on the Bluetooth® device or the app, even if you press buttons on the unit, some functions may not respond or may operate differently from the descriptions below.

(Operation example)



Function	Operation
Play / Pause	Press [O].
Increase the volume	Press [+].
Decrease the volume	Press [-].
Forward to the start of next track	Press and hold [+] for approximately 2 seconds.
Return to the start of current track	Press and hold [-] for approximately 2 seconds.

Note

- The volume can be adjusted in 16 levels. When the volume is at the maximum or minimum level, an additional press will generate a notification beep.

Making a phone call

With Bluetooth® enabled phones (cell phones or smartphones) that support the “HSP” or “HFP” Bluetooth® profile, you can use the unit for phone calls.

- **HSP (Headset Profile):**

This profile can be used to receive monaural sounds and establish two-way communication using the microphone on the unit.

- **HFP (Hands-Free Profile):**

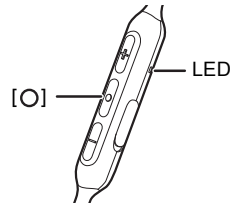
In addition to the HSP functions, this profile has the incoming and outgoing calls function.

(This unit does not have a function that allows you to make phone calls independently of a Bluetooth® enabled phone.)

1 Connect the Bluetooth® device and the unit. (→ 9, “Connecting a Bluetooth® device”)

2 Press [O] on the unit and answer the incoming call.

- During an incoming call, ringtone will sound from the earphones and the LED will blink.
- (HFP only) To reject the incoming call, press [O] twice quickly.



3 Start talking.

- The LED will repeatedly blink 2 times during a call.
- The volume can be adjusted during a phone call. For setting instructions, see page 11.

4 Press [O] to end the phone call.

- A beep will sound.

Note

- There may be instances when hands free setting needs to be done on the Bluetooth® enabled phone.
- Depending on the Bluetooth® enabled phone, you may hear incoming and outgoing call ringtones of the phone from the unit.
- (HFP only) It may be difficult to hear phone conversations when the unit is used in locations with loud ambient noise or in outdoor or other locations exposed to powerful winds. In that case, change the calling location or switch the calling device to the Bluetooth® enabled phone to continue the call. (Press [O] on the unit twice quickly to switch.)
- You can have the Bluetooth® enabled phone make phone calls by using the microphone of the unit and an app of the Bluetooth® enabled phone. (→ 13, “Activating voice functions”)
- Call apps are not supported.

Useful functions

Activating voice functions

You can activate Siri or other voice functions with a button on the unit.

- 1 **Connect the Bluetooth® device and the unit. (→ 9, “Connecting a Bluetooth® device”)**
- 2 **Press [O] of this unit twice quickly.**
 - The voice function on the Bluetooth® device will be activated.

Note

- For details about voice function commands, refer to the operating instructions for the Bluetooth® device.
- The voice function may not work depending on the smartphone specifications and the app version.

Guidance messages

The unit is equipped with a function that provides an audio notification when you turn off the unit, connect a Bluetooth® device or change a setting, for example.

- The audio guidance function cannot be disabled.
- The audio guidance volume cannot be adjusted.

Battery level notification

- When the unit is turned off, an English guidance message will be heard indicating the battery level.
- When the battery level starts to run low while you are using the unit, red blinks will be added to the blue blinking sequences of the LED, and you will also be notified by one beep about every 3 minutes. When the battery runs out, an English guidance message will be heard and the power will turn off.

Auto power off

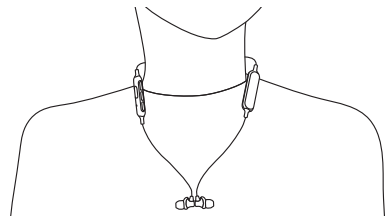
If the unit is not connected to a Bluetooth® device, an English guidance message will be heard and turn off the unit automatically approximately 5 minutes after you have stopped using it.

Resetting the unit

This unit can be reset when all operations are rejected. To reset the unit, connect the unit to a computer using the USB charging cord. (The pairing device information will not be deleted.)

When the earphones are removed from the ears and hung around the neck

When the earphones are removed from the ears and hung around the neck, you can attach the left and right housings together using the built-in magnets.



Restoring to the factory settings

When you want to delete all pairing device information, etc., you can restore the unit to the factory settings (original settings upon purchase). Charge the battery before restoring the unit.

- 1 While the unit is turned off, press and hold [○] for at least 5 seconds until the LED starts blinking alternately in blue and red.**
- 2 While the LED is blinking alternately in blue and red, press and hold [+] and [-] at the same time for at least 5 seconds.**
 - The default settings will be restored after the LED (blue) blinks fast and the unit turns off.

■ Attention

- When pairing a device again, delete the registering information (Device: "RZ-NJ320B") from the Bluetooth® device's menu, and register this unit with the Bluetooth® device again. (→ 9)

Copyright, etc.

The Bluetooth® word mark and logos are registered trademarks owned by Bluetooth SIG, Inc. and any use of such marks by Panasonic Corporation is under license.

Other trademarks and trade names are those of their respective owners.

Siri is a trademark of Apple Inc., registered in the U.S. and other countries.

Other system names and product names appearing in this document are in general the registered trademarks or trademarks of the respective developer companies.

Note that the ™ mark and ® mark do not appear in this document.

Troubleshooting

Before requesting service, make the following checks. If you are in doubt about some of the check points, or if the remedies indicated do not solve the problem, consult your dealer for instructions.

Sound and audio volume

No sound.

- Make sure that the unit and the Bluetooth® device are connected correctly. (→ 9)
- Check if music is playing on the Bluetooth® device.
- Make sure that the unit is turned on and the volume is not set too low.
- Pair and connect the Bluetooth® device and the unit again. (→ 9)
- Check if the Bluetooth® compatible device supports “A2DP” profile. For details on profiles, see “Listening to music” (→ 11). Also refer to the operating manual for the Bluetooth® compatible device.

Low volume.

- Increase the volume of the unit. (→ 11)
- Increase the volume on the Bluetooth® device.

Sound from the device is cut off. / Too much noise. / Sound quality is bad.

- Sound may be disrupted if signals are blocked. Do not fully cover this unit with the palm of your hand, etc.
- The device may be out of the 10 m communication range. Move the device closer to this unit.
- Remove any obstacle between this unit and the device.
- Switch off any wireless LAN device when not in use.

Bluetooth® device connection

The device cannot be connected.

- You can pair up to 8 Bluetooth® devices with this unit. If a 9th device is paired, the device with the oldest connection will be replaced.
- Delete the pairing information for this unit from the Bluetooth® device, then pair them again. (→ 9)

Phone Calls

You cannot hear the other person.

- Make sure that the unit and the Bluetooth® enabled phone are turned on.
- Check if the unit and the Bluetooth® enabled phone are connected. (→ 9)
- Check the audio settings of the Bluetooth® enabled phone. Switch the calling device to the unit if it is set to the Bluetooth® enabled phone. (→ 9)
- If the volume of the other person’s voice is too low, increase the volume of both the unit and the Bluetooth® enabled phone.

Cannot make a phone call.

- Check if the Bluetooth® compatible device supports “HSP” or “HFP” profile. For details on profiles, see “Listening to music” (→ 11) and “Making a phone call” (→ 12). Also refer to the operating manual for the Bluetooth® enabled phone.

General

The unit does not respond.

- This unit can be reset when all operations are rejected. To reset the unit, connect the unit to a computer using the USB charging cord. (The pairing device information will not be deleted.)

Power supply and charging

Cannot charge the unit. / LED does not light during charging. / LED blinks during charging. / Charging takes longer.

- Is the USB charging cord connected firmly to the USB terminal of the computer? (→ 7)
- Make sure to charge in a room temperature between 10 °C and 35 °C.
- Make sure the computer is turned on and is not on standby or sleep mode.
- Is the USB port you are currently using working properly? If your computer has other USB ports, unplug the connector from its current port and plug it into one of the other ports.
- If the measures mentioned above are not applicable, unplug the USB charging cord and plug it in again.
- It takes approx. 3 hours to charge the battery from empty to full.
- If the charge time and operating time become shortened, the battery may have run down. (Number of charging times of the installed battery: Approximately 300)
- The LED lights in red when charging is in progress. When charging is completed, the LED will go out.

The power does not turn on. / The power turns off.

- Is the unit being charged? The power cannot be turned ON during charging. (→ 7)
- The battery is low when the LED is blinking in red. Charge the unit.
- Is auto power off active? (→ 13)

Specifications

■ General

Power supply	DC 5 V, 75 mA (Internal battery: 3.7 V (Li-polymer))
Operating time *1	Approx. 18 hours (AAC)
Charging time *2 (25 °C)	Approx. 3 hours
Charging temperature range	10 °C to 35 °C
Operating temperature range	0 °C to 40 °C
Operating humidity range	35 %RH to 80 %RH (no condensation)
Mass	Approx. 18 g

*1 It may be shorter depending on the operating conditions.

*2 The time required to charge the battery from empty to full.

■ Bluetooth® section

Bluetooth® system specification	Ver. 5.0
Wireless equipment classification	Class 2 (2.5 mW)
Max RF power	4 dBm
Frequency band	2402 MHz to 2480 MHz
Supported profiles	A2DP, AVRCP, HSP, HFP
Supported codec	SBC, AAC
Operating distance	Up to 10 m

■ Speaker section

Driver units	9 mm
---------------------	------

■ Terminal section

DC IN	DC 5 V, 75 mA
--------------	---------------

■ Microphone section

Type	Mono
-------------	------

■ Accessory section

USB charging cord	Approx. 0.1 m Input plug: USB A shape, Output plug: USB Type-C shape
Earpieces	S/M/L, 1 pair of left and right (M size is attached to the body)

• Specifications are subject to change without notice.

To remove the battery when disposing of this unit

The following instructions are not intended for repairing purposes but for the disposal of this unit. This unit is not restorable once disassembled.

- **When disposing of this unit, take out the battery installed in this unit and recycle it.**

■ Danger

As the rechargeable battery is specifically for this product, do not use it for any other device.

Do not charge the removed battery.

- Do not heat or expose to flame.
 - Do not leave the battery(ies) in a car exposed to direct sunlight for a long period of time with doors and windows closed.
 - Do not pierce the battery with a nail, subject it to an impact, or dismantle or modify it.
 - Do not let the wires touch any other metal or each other.
 - Do not carry or store the battery with a necklace, hair pin, or the like.
- Doing so may cause the battery to generate heat, ignite, or rupture.

■ Warning

Do not place the removed battery, and other items within reach of infants.

Accidental swallowing of such an item may have an adverse effect on the body.

- In the event that you think such an item has been swallowed, consult a doctor immediately.

In the event of fluid leaking from the battery, take the following measure, and do not touch the fluid with bare hands.

Fluid entering into an eye may cause loss of eyesight.

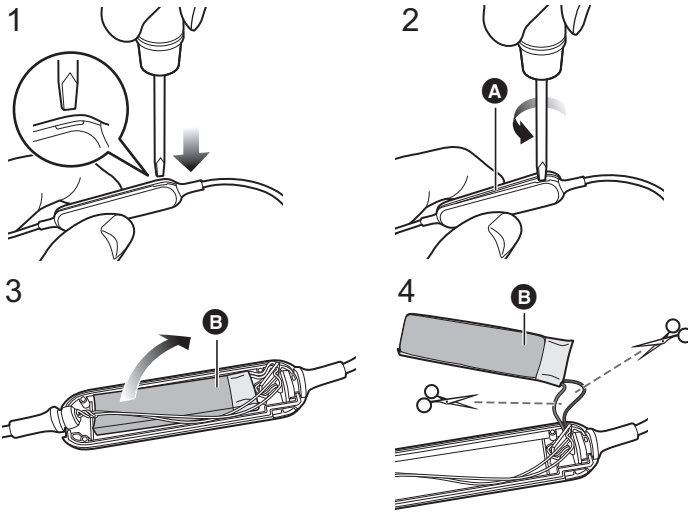
- Wash the eye with water immediately without rubbing it, and then consult a doctor.

Fluid getting on your body or clothes may cause inflammation of the skin or injury.

- Sufficiently rinse with clean water, and then consult a doctor.

A lithium-ion polymer rechargeable battery is built in to the battery case. Please discard according to local regulations. When disposing this product, disassemble properly by following the procedure, and remove the internal rechargeable battery.

- Disassemble after the battery runs out.
- When disposing of the battery, please contact your local authorities or dealer and ask for the correct method of disposal.



1 Put a straight-slot screwdriver (commercially available) into the battery case.

- Make sure to keep fingers away from the tip of the screwdriver.
- Use a screwdriver that fits into the slit on the battery case. If it is too small, the battery case will not open properly.

2 Use the screwdriver for leverage, and push the upper cover **A upward.**

- Be careful not to touch the battery with the screwdriver.

3 Hold the battery **B, and remove it.**

4 Pull off the battery **B and separate it from the battery case by cutting off the wires, one by one, with scissors.**

- Insulate the wire parts of the removed battery with cellophane tape.
- Do not damage or dismantle the battery.

