

# Panasonic<sup>®</sup>

## Operating Instructions Digital Wireless Stereo Headphones

Model No. **RP-HTX80B**



Thank you for purchasing this product.  
Please read these instructions carefully before using this product, and save this manual for future use.

---

# Safety precautions

## ■ Unit

### **WARNING:**

To reduce the risk of fire, electric shock or product damage,

- Do not expose this unit to rain, moisture, dripping or splashing.
- Do not place objects filled with liquids, such as vases, on this unit.
- Use the recommended accessories.
- Do not remove covers.
- Do not repair this unit by yourself. Refer servicing to qualified service personnel.

- Avoid using or placing this unit near sources of heat.
- Do not listen with this unit at high volume in places where you need to hear sounds from the surrounding environment for safety, such as at railroad crossings, and construction sites.
- Wide band characteristic voltage equal or larger than 75 mV.
- Certification information can be found on the right side of the headphones. Remove the right earpad to see it.

## ■ Allergies

- Discontinue use if you experience discomfort with the earpads or any other parts that directly contact your skin.
- Continued use may cause rashes or other allergic reactions.

## ■ Precautions for listening with the Headphones

- Excessive sound pressure from earphones and headphones can cause hearing loss.
- Do not use your headphones at a high volume. Hearing experts advise against continuous extended play.
- If you experience a ringing in your ears, reduce volume or discontinue use.
- Do not use while operating a motorised vehicle. It may create a traffic hazard and is illegal in many areas.
- You should use extreme caution or temporarily discontinue use in potentially hazardous situations.

This unit may receive radio interference caused by mobile telephones during use. If such interference occurs, please increase separation between this unit and the mobile telephone.

This unit is intended for use in moderate and tropical climates.

---

# About Bluetooth®

**Panasonic bears no responsibility for data and/or information that is compromised during a wireless transmission.**

## ■ Frequency band used

This unit uses the 2.4 GHz frequency band.

## ■ Certification of this unit

- This unit conforms to frequency restrictions and has received certification based on frequency laws. Thus, a wireless permit is not necessary.
- The actions below are punishable by law in some countries:
  - Taking apart/modifying this unit.
  - Removing specification indications.

## ■ Restrictions of use

- Wireless transmission and/or usage with all Bluetooth® equipped devices is not guaranteed.
- All devices must conform to standards set by Bluetooth SIG, Inc.
- Depending on the specifications and settings of a device, it can fail to connect or some operations can be different.
- This unit supports Bluetooth® security features. But depending on the operating environment and/or settings, this security may not be sufficient. Transmit data wirelessly to this unit with caution.
- This unit cannot transmit data to a Bluetooth® device.

## ■ Range of use

Use this unit at a maximum range of 10 m.

The range can decrease depending on the environment, obstacles or interference.

## ■ Interference from other devices

- This unit may not function properly and troubles such as noise and sound jumps may arise due to radio wave interference if this unit is located too close to other Bluetooth® devices or the devices that use the 2.4 GHz band.
- This unit may not function properly if radio waves from a nearby broadcasting station, etc. is too strong.

## ■ Intended usage

- This unit is for normal, general use only.
- Do not use this system near an equipment or in an environment that is sensitive to radio frequency interference (example: airports, hospitals, laboratories, etc).

---

# Table of contents

Safety precautions .....	2
About Bluetooth® .....	3

## Before use

---

Accessories .....	5
Maintenance.....	5
Part names.....	6

## Preparation

---

Charging.....	7
Turning the power on/off .....	7
Connecting a Bluetooth® device.....	8
• Pairing (Registration) this unit with the Bluetooth® device for connection .....	8
• Connecting a paired Bluetooth® device .....	9

## Operation

---

Listening to music .....	10
• Remote controlling.....	10
Making a phone call .....	11
Useful functions.....	12
• Activating a voice control function .....	12
• Resetting the unit .....	12
• Auto power off .....	12
• Battery level notification.....	12

## Other

---

Restoring to the factory settings.....	13
Copyright, etc. ....	13
Troubleshooting.....	14
• General .....	14
• Power supply and charging .....	14
• Bluetooth® device connection .....	14
• Sound and audio volume.....	14
• Phone Calls .....	15
Specifications .....	16
To remove the battery when disposing of this unit .....	17

## Expressions used in this document

- Pages to be referred to are indicated as “→ ○○”.
- The product illustrations may differ from the actual product.

## Accessories

Please check and identify the supplied accessories.

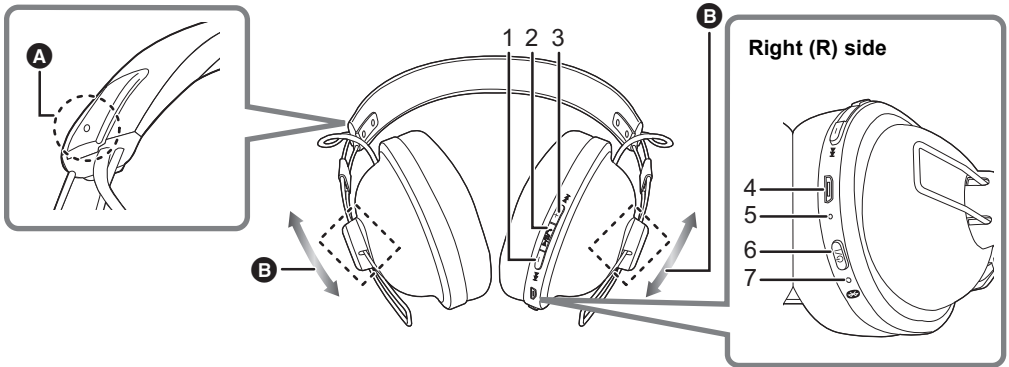
- 1 x USB charging cord**

## Maintenance

Clean this unit with a dry and soft cloth.

- Do not use solvents including benzine, thinner, alcohol, kitchen detergent, a chemical wiper, etc. This might cause the exterior case to be deformed or the coating to come off.

## Part names



1 [- (◀◀)] button

2 [▶/||/◀] button

3 [+ (▶▶)] button

4 Charging terminal (DC IN)

- Connect the USB charging cord (supplied) to this terminal when charging. (→ 7)

5 Microphone

6 [⏻/Ⓜ (📶)] button<sup>\*1</sup>

7 LED indicator light<sup>\*2\*3</sup>

**A** Raised dot indicating the left side

**B** This allows you to adjust the housing position of the headphones.

\*1 ⏻/Ⓜ: Standby/ON

\*2 Hereafter referred to as "LED"

\*3 Examples of lighting/blinking patterns

Lighting (red):	Charging is in progress
Blinking alternately in blue and red:	Bluetooth® pairing (registration) standby
Blinking slowly (blue) <sup>*4</sup> :	Bluetooth® connection standby
Blinking twice about every 2 seconds (blue) <sup>*4</sup> :	A Bluetooth® pairing (registration) has been established or a call is in progress
Blinking (blue) <sup>*4</sup> :	A call is being received

\*4 The battery is low when it is blinking in red. (→ 12, "Battery level notification")

### Note

• Do not use any other USB charging cords except the supplied one.

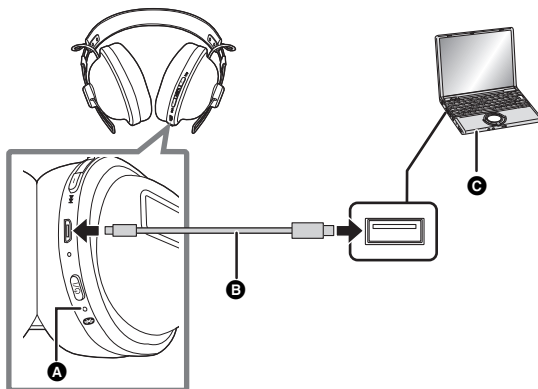
• When using the unit, do not cover the right speaker with the palm of your hand. The Bluetooth® connection may be blocked.

## Charging

The rechargeable battery (installed in the unit) is not charged initially. Charge the battery before using the unit.

### Connect this unit to a computer using the USB charging cord.

- A:** LED
- B:** USB charging cord (supplied)
  - Check the direction of the terminals and plug in/out straight holding onto the plug. (It may result in malfunction by the deforming of the terminal if it is plugged in obliquely or in wrong direction.)
- C:** Computer
  - The LED lights in red when charging is in progress. When charging is completed, the LED will go out.
  - Charging will take approximately 3.5 hours from empty state to fully charged.



### Note

- The Bluetooth® feature cannot be used when this unit is connected to a computer using the USB charging cord.
- Charge in a room temperature between 10 °C and 35 °C. Outside of this temperature range, charging may stop and the LED may go out.
- The power cannot be turned on while charging.
- Do not use any other USB charging cords except the supplied one.

Caution: Use only the supplied USB charging cord when connecting to a computer.

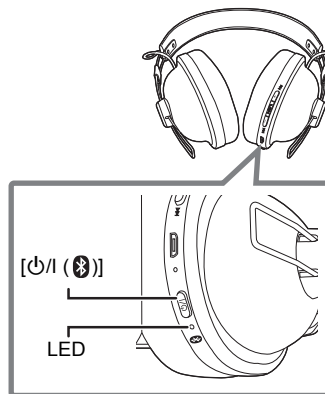
## Turning the power on/off

In the power-off state, press and hold [⏻/Ⓜ] of this unit for approx. 3 seconds until the LED (blue) blinks.

- A beep will sound, and the LED (blue) will blink slowly.

### ■ To turn the power off

Press and hold [⏻/Ⓜ] for approximately 3 seconds. A beep will sound and the power will be turned off.



### Note

- When the unit is not operated for approximately 5 minutes, the power will automatically turn off. (→ 12, "Auto power off")

# Connecting a Bluetooth® device

## Preparation

- Place the Bluetooth® device within approx. 1 m from the unit.
- Check the device operation using its operation instructions as required.

## Pairing (Registration) this unit with the Bluetooth® device for connection

### 1 In the power-off state, press and hold [⏻/Ⓜ] of this unit until the LED blinks.

When pairing a device for the first time: approx. 3 seconds

When pairing a second or subsequent devices: approx. 5 seconds

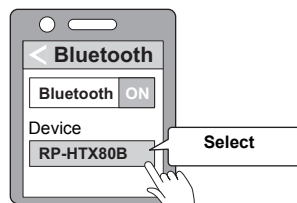
- The unit starts to search for the Bluetooth® device for connection, and the LED will blink in blue and red alternately.

### 2 Turn on the power of the Bluetooth® unit, and enable the Bluetooth® function.

### 3 Select “RP-HTX80B” from the Bluetooth® device’s menu.

- A MAC address (an alphanumeric character string that is displayed by and unique to the device) may be displayed before “RP-HTX80B” is displayed.
- If prompted for a passkey, input the passkey “0000 (four zeros)” of this unit.

e.g.



### 4 Check the connection with the Bluetooth® device on the unit.

- The LED will blink in blue and red alternately until the connection with the device is completed. When the LED (blue) blinks twice every approx. 2 seconds, pairing (registration) is completed. (Connection established)

## Note

- If connection to a device is not established within approximately 5 minutes, the unit will be turned off. Perform pairing again.
- You can pair up to 8 Bluetooth® devices with this unit. If a 9th device is paired, the device with the oldest connection will be replaced. To use it, perform pairing again.



---

## Connecting a paired Bluetooth® device

### 1 Turn on this unit.

- Press and hold [⏻/Ⓜ (📶)] of this unit for approx. 3 seconds until the LED (blue) blinks.
- A beep will sound, and the LED (blue) will blink slowly.

### 2 Perform steps 2 and 3 of “Pairing (Registration) this unit with the Bluetooth® device for connection”. (→ 8)

- When the LED (blue) blinks twice every approx. 2 seconds, pairing (registration) is completed. (Connection established)

---

#### Note

- This unit remembers the device lastly connected. Connection may be automatically established after step 1 (see above).
- If connection to a device is not established within approximately 5 minutes, the unit will be turned off. Turn on the unit again.

## Listening to music

If the Bluetooth® compatible device supports the “A2DP” and “AVRCP” Bluetooth® profiles, music can be played back with remote control operations on the unit.

- A2DP (Advanced Audio Distribution Profile): Transmits audio to the unit.
- AVRCP (Audio/Video Remote Control Profile): Allows remote control of the device using the unit.

### 1 Connect the Bluetooth® device and the unit. (→ 8, “Connecting a Bluetooth® device”)

### 2 Select and play the music on the Bluetooth® device.

- The selected music is output to the speakers of the unit.
- Operating time:  
The maximum playback time is approximately 6 hours. (It may become shorter depending on the usage conditions.)

#### ■ Attention

- The unit might leak sound depending on the volume level.
- When the volume is increased to near maximum level, music may sound distorted. Decrease the volume until the distortion is cleared.

## Remote controlling

You can control the Bluetooth® device using the unit.

- Depending on the Bluetooth® device or the app, even if you press buttons on the unit, some functions may not respond or may operate differently from the descriptions below.

#### (Operation example)



Function	Operation
Play / Pause	Press [▶/  /◀].
Increase the volume	Press [+ (▶▶)].
Decrease the volume	Press [- (◀◀)].
Forward to the start of next track	Press and hold [+ (▶▶)] for approximately 2 seconds.
Return to the start of current track	Press and hold [- (◀◀)] for approximately 2 seconds.

#### Note

- The volume can be adjusted in 16 levels. When the maximum or minimum volume is reached, a beep will sound.

## Making a phone call

With Bluetooth® enabled phones (cell phones or smartphones) that support the “HSP” or “HFP” Bluetooth® profile, you can use the unit for phone calls.

- **HSP (Headset Profile):**

This profile can be used to receive monaural sounds and establish two-way communication using the microphone on the unit.

- **HFP (Hands-Free Profile):**

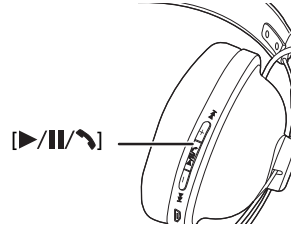
In addition to the HSP functions, this profile has the incoming and outgoing calls function.

(This unit does not have a function that allows you to make phone calls independently of a Bluetooth® enabled phone.)

### 1 Connect the Bluetooth® device and the unit. (→ 8, “Connecting a Bluetooth® device”)

### 2 Press [▶/||/↶] on the unit and answer the incoming call.

- During an incoming call, ringtone will sound from the speaker and the LED will blink.
- (HFP only) To reject the incoming call, press [▶/||/↶] twice quickly.



### 3 Start talking.

- The LED will repeatedly blink 2 times during a call.
- The volume can be adjusted during a phone call. For setting instructions, see page 10.

### 4 Press [▶/||/↶] to end the phone call.

- A beep will sound.

---

#### Note

- There may be instances when hands free setting needs to be done on the Bluetooth® enabled phone.
- Depending on the Bluetooth® enabled phone, you may hear incoming and outgoing call ringtones of the phone from the unit.
- (HFP only) The calling device will be switched between the Bluetooth® enabled phone and the unit. (Press [▶/||/↶] on the unit twice quickly to switch.)
- You can have the Bluetooth® enabled phone make phone calls by using the microphone of the unit and an app of the Bluetooth® enabled phone. (→ 12, “Activating a voice control function”)

## Useful functions

### Activating a voice control function

You can activate the voice control function of your Bluetooth® device (smartphone, etc.) and control the device by speaking to the microphone of the unit.

- 1 Connect the Bluetooth® device and the unit. (→ 8, “Connecting a Bluetooth® device”)**
- 2 Press and hold [▶/||/↵] of this unit for approx. 3 seconds.**
  - The voice control app on the Bluetooth® device will be activated.

#### Note

- For details about voice control commands, refer to the operating instructions for the Bluetooth® device.
- Depending on the device, a voice control function may not be available.

### Resetting the unit

This unit can be reset when all operations are rejected. To reset the unit, press and hold [⏻/| (📶)] for 10 seconds or more. All the previous operations will be cancelled. (The pairing device information will not be deleted.)

### Auto power off

If the unit is not connected to a Bluetooth® device, the unit will beep and turn off automatically approximately 5 minutes after you have stopped using it.

### Battery level notification

When the battery level is low during use of the unit, the blue blinking LED will change to red. A beep will sound every 1 minute. When the battery runs out, the power will turn off.

## Restoring to the factory settings

When you want to delete all pairing device information, etc., you can restore the unit to the factory settings (original settings upon purchase). Charge the battery before restoring the unit.

- 1 While the unit is turned off, press and hold [⏻/Ⓜ (Ⓜ)] for at least 5 seconds until the LED starts blinking alternately in blue and red.**
- 2 While the LED is blinking alternately in blue and red, press and hold [+ (▶▶)] and [- (◀◀)] at the same time for at least 5 seconds.**
  - The default settings will be restored after the LED (blue) blinks fast and the unit turns off.

### ■ Attention

- When pairing a device again, delete the registering information (Device: "RP-HTX80B") from the Bluetooth® device's menu, and register this unit with the Bluetooth® device again. (→ 8)

## Copyright, etc.

The Bluetooth® word mark and logos are registered trademarks owned by the Bluetooth SIG, Inc. and any use of such marks by Panasonic Corporation is under license.

Other trademarks and trade names are those of their respective owners.

Other system names and product names appearing in this document are in general the registered trademarks or trademarks of the respective developer companies.

Note that the ™ mark and © mark do not appear in this document.

# Troubleshooting

Before requesting service, make the following checks. If you are in doubt about some of the check points, or if the remedies indicated do not solve the problem, consult your dealer for instructions.

## General

### The unit does not respond.

- This unit can be reset when all operations are rejected. To reset the unit, press and hold [⏻/⏹] for 10 seconds or more. (→ 12)

## Power supply and charging

### Cannot charge the unit.

- Make sure the computer is turned on and is not on standby or sleep mode.
- Is the USB port you are currently using working properly? If your computer has other USB ports, unplug the connector from its current port and plug it into one of the other ports.
- If the measures mentioned above are not applicable, unplug the USB charging cord and plug it in again.
- If the charge time and operating time become shortened, the battery may have run down. (Number of charging times of the installed battery: Approximately 300.)

### LED does not light during charging. / Charging takes longer.

- Is the USB charging cord (supplied) connected firmly to the USB terminal of the computer? (→ 7)
- Make sure to charge in a room temperature between 10 °C and 35 °C.

### The power does not turn on.

- Is the unit being charged? The power cannot be turned ON during charging. (→ 7)

## Bluetooth® device connection

### The device cannot be connected.

- Delete the pairing information for this unit from the Bluetooth® device, then pair them again. (→ 8)

## Sound and audio volume

### No sound.

- Make sure that the unit and the Bluetooth® device are connected correctly. (→ 8)
- Check if music is playing on the Bluetooth® device.
- Make sure that the unit is turned on and the volume is not set too low.
- Pair and connect the Bluetooth® device and the unit again. (→ 8)
- Check if the Bluetooth® compatible device supports "A2DP" profile. For details on profiles, see "Listening to music" (→ 10). Also refer to the operating manual for the Bluetooth® compatible device.

### Low volume.

- Increase the volume of the unit. (→ 10)
- Increase the volume on the Bluetooth® device.

**Sound from the device is cut off. / Sound quality is bad.**

- Sound may be disrupted if signals are blocked. Do not fully cover this unit with the palm of your hand, etc.
- The device may be out of the 10 m communication range. Move the device closer to this unit.
- Remove any obstacle between this unit and the device.
- Switch off any wireless LAN device when not in use.
- A communication problem may arise if the battery is not fully charged. Charge the unit. (→ 7)

**Phone Calls****You cannot hear the other person.**

- Make sure that the unit and the Bluetooth® enabled phone are turned on.
- Check if the unit and the Bluetooth® enabled phone are connected. (→ 8)
- Check the audio settings of the Bluetooth® enabled phone. Switch the calling device to the unit if it is set to the Bluetooth® enabled phone. (→ 8)
- If the volume of the other person's voice is too low, increase the volume of both the unit and the Bluetooth® enabled phone.

**Cannot make a phone call.**

- Check if the Bluetooth® compatible device supports "HSP" or "HFP" profile. For details on profiles, see "Listening to music" (→ 10) and "Making a phone call" (→ 11). Also refer to the operating manual for the Bluetooth® enabled phone.

# Specifications

## ■ General

<b>Power supply</b>	DC 5 V, 1.65 W (Internal battery: 3.7 V (Li-polymer 430 mAh))
<b>Operating time</b> *1	Approx. 24 hours
<b>Charging time</b> *2 (25 °C)	Approx. 3.5 hours
<b>Charging temperature range</b>	10 °C to 35 °C
<b>Operating temperature range</b>	0 °C to 40 °C
<b>Operating humidity range</b>	35%RH to 80%RH (no condensation)
<b>Mass</b>	Approx. 190 g

\*1 It may be shorter depending on the operating conditions.

\*2 Time taken to recharge from empty to full.

## ■ Bluetooth® section

<b>Bluetooth® system specification</b>	Ver. 4.1
<b>Wireless equipment classification</b>	Class 2 (2.5 mW)
<b>Frequency band</b>	2402 MHz to 2480 MHz
<b>Max RF power</b>	4 dBm
<b>Supported profiles</b>	A2DP, AVRCP, HSP, HFP
<b>Supported codec</b>	SBC
<b>Operating distance</b>	Up to 10 m

## ■ Speaker section

<b>Driver units</b>	40 mm
---------------------	-------

## ■ Terminal section

<b>DC IN</b>	DC 5 V, 1.65 W
--------------	----------------

## ■ Microphone section

<b>Type</b>	Mono
-------------	------

## ■ Accessory section

<b>USB charging cord</b>	0.5 m
--------------------------	-------

• Specifications are subject to change without notice.



## To remove the battery when disposing of this unit

The following instructions are not intended for repairing purposes but for the disposal of this unit. This unit is not restorable once disassembled.  
 • When disposing of this unit, take out the battery installed in this unit and recycle it.

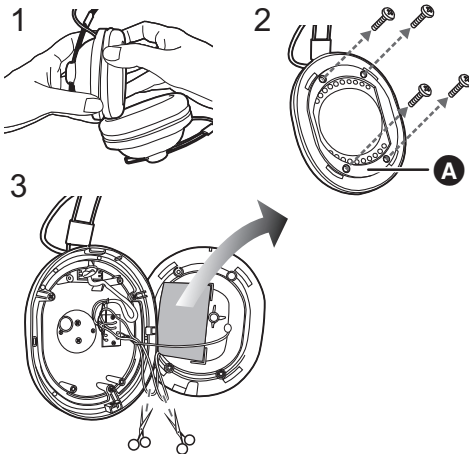
- Disassemble after the battery runs out.
- Keep disassembled parts out of reach of children.

### Regarding the handling of used batteries

- Insulate the terminals with adhesive tape or similar material.
- Do not disassemble.

### ■ Batteries

- Do not heat or expose to flame.
- Do not leave the battery(ies) in a car exposed to direct sunlight for a long period of time with doors and windows closed.
- Battery mishandling can cause electrolyte leakage which can damage items the leaked fluid comes into contact with. If electrolyte leaks from the battery, consult your dealer. Wash thoroughly with water if electrolyte comes in contact with any part of your body.
- When disposing of the batteries, please contact your local authorities or dealer and ask for the correct method of disposal.



- 1 Remove the left ear pad.
- 2 Remove the 4 screws, and lift and flip the part **A**.
- 3 Cut off the wires one by one with scissors, and remove the battery.

